

Homecraft Padded Transfer Bench

0815-61-885

AA-1594

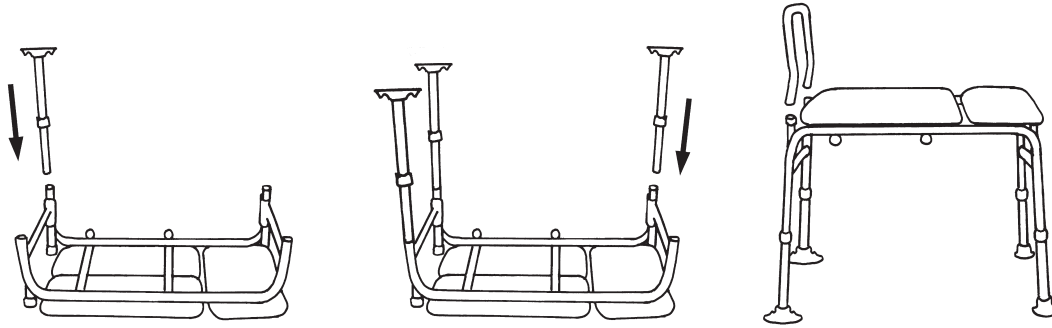
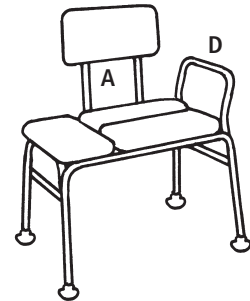
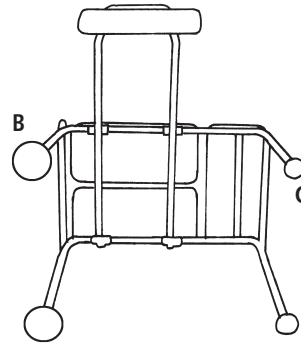
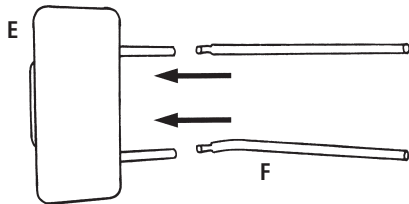


Illustration Keys

- A. Bench
- B. Suction-cup Leg
- C. Rubber-tip Leg
- D. Armrest
- E. Backrest
- F. Connector Poles for Backrest



Before Assembly

Remove contents from package, making sure that all components are included and that no parts have been damaged during handling and shipping. Contact us if you find damage.

Familiarize yourself with the parts. Read the following instructions and make sure you understand them. For clarification of any step, consult a caregiver, technical professional, family or friend.

Assembly Instructions

Place top of transfer bench on an even surface. Determine the side of bench that will go into the bathtub, and on that side attach the legs that have large suction cups on the bottom. Use the push pins, depressing them and slipping leg into the frame connector on the bottom side of the bench. Follow the same steps to attach the other suction-cupped leg.

On the opposite side of bench, attach the legs that have small rubber tips. Depress push pins and insert one leg at a time into each of the corresponding receptacles. Make sure the legs are secure before turning over the bench.

The armrest should be attached on the same side of large suction-cup legs. Hold the armrest so that it curves away from the bench, and then connect it to bench by depressing the push pins, inserting the arm and releasing the pins.

Before attaching the backrest to the bench, assemble it using the push-pin method. Push the pins and slip the poles into the backrest poles. Depress the push pins again to slide the poles of backrest into the holders underneath the seat. To ensure security the backrest must go through both holders. Reverse the back to change entry from right to left or vice versa.

Position large suction-cup legs in the bath tub and adjust for individual user. To remove or reposition the legs, pull the tab on the suction cups. Check that the bench is level to be on the safe side.

Care

Use a mild cleaning product—no abrasive, scouring pads or solvents including lacquer thinner, turpentine or acetone.

Precautions

Do not exceed the user weight capacity of 300 lbs. Test for stability before use.

Ensure that all push buttons are locked in place before use.

Limited Product Warranty

Patterson Medical warrants that all products shall be free from manufacturing defects for a period of one year from the date of shipment. OTHER THAN THE FOREGOING WARRANTY, PATTERSON MEDICAL MAKES NO REPRESENTATION OR WARRANTY OF ANY KIND, EXPRESS OR IMPLIED, AS TO MERCHANTABILITY, FITNESS FOR A PARTICULAR PURPOSE OR ANY OTHER MATTER RELATING TO THE PRODUCT. Customer must notify Patterson Medical of any manufacturing defect within five days of discovery of the defect. Upon a determination by Patterson Medical that the product is defective, Patterson Medical sole and exclusive obligation shall be to provide customer with a replacement product or a full refund of the purchase price, at the sole discretion of Patterson Medical, and to reimburse customer for any return freight costs. In no event shall Patterson Medical be liable for any other costs or expenses including lost profits or direct, indirect, consequential, incidental or punitive damages. The warranty set forth herein shall govern all purchases, notwithstanding any inconsistent terms and conditions of customer's purchase order.



Patterson Medical

1000 Remington Blvd., Suite 210
Bolingbrook, IL 60440
Phone: 800-323-5547

www.pattersonmedical.com

© July 2015
Patterson Medical Products, Inc.
081561885LIT

Direct Phone: 630-378-6000
Fax: 800-547-4333
Direct Fax: 630-378-6310



Authorized European Representative Patterson Medical, Ltd.

Nunn Brook Road
Huthwaite, Sutton-in-Ashfield
Nottinghamshire, NG17 2HU, UK

United Kingdom
Phone: 08444 124 330
Fax: 08448 730 100
International
Phone: +44 (0) 1623 448 706
Fax: +44 (0) 1623 448 784