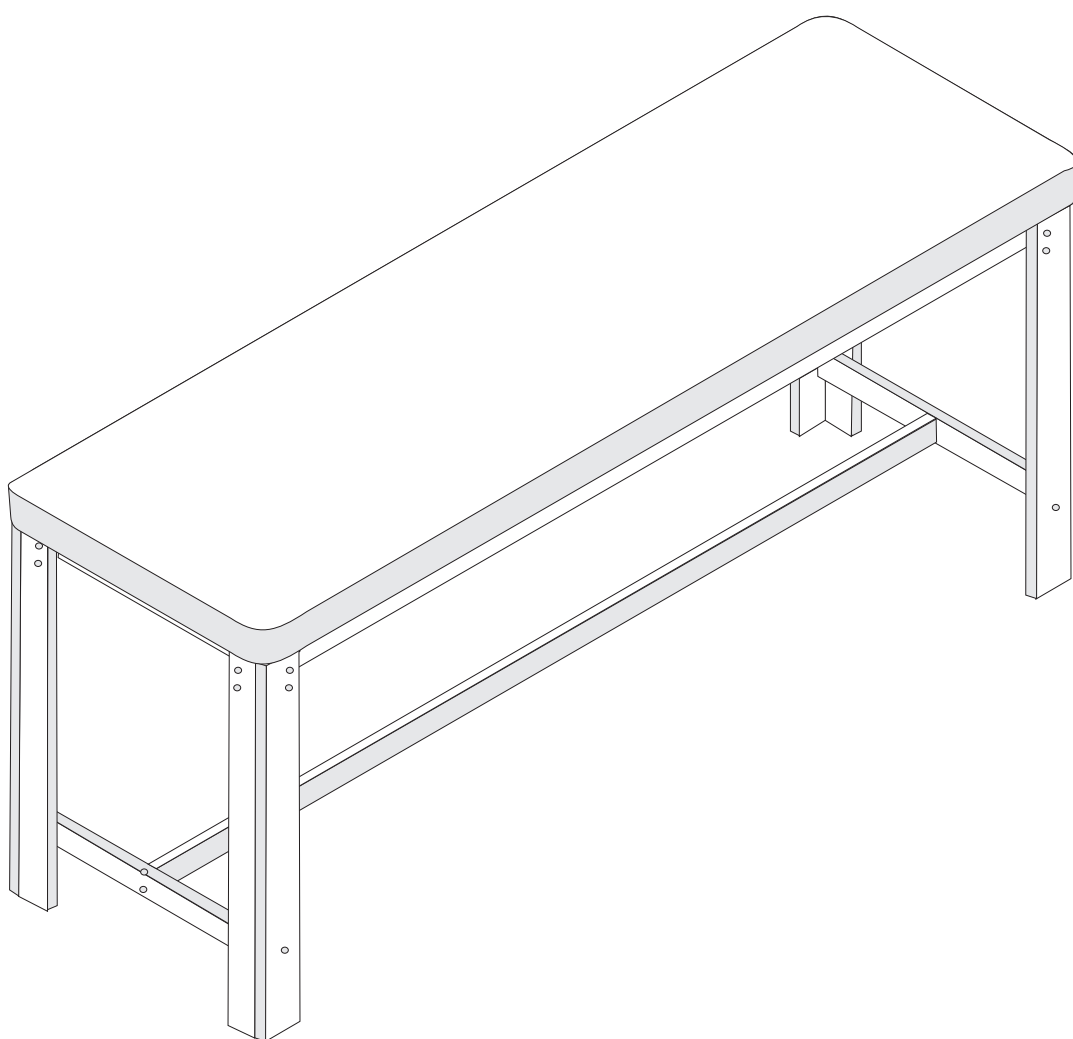


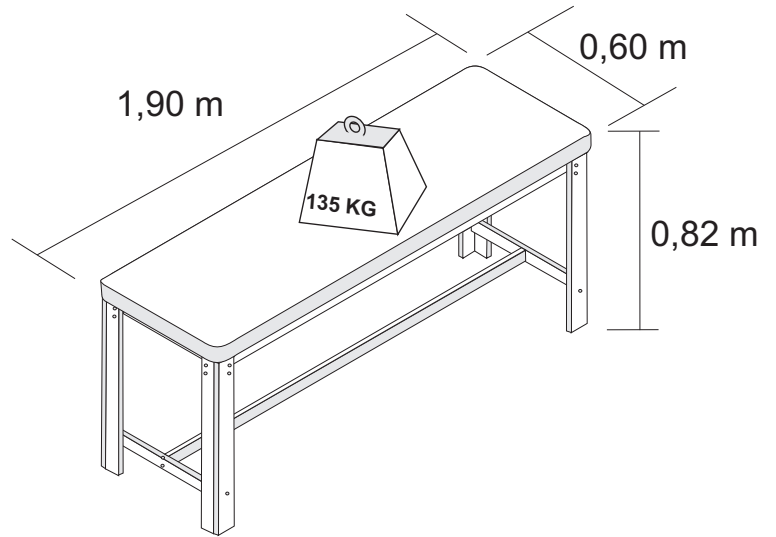
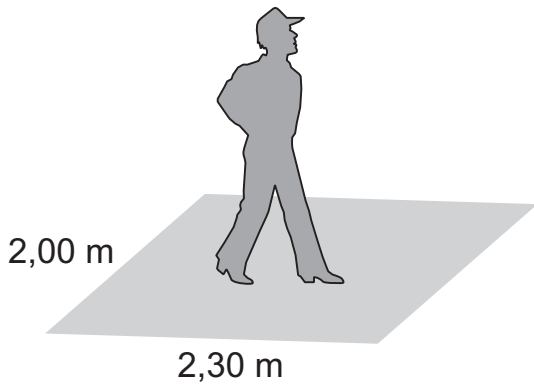
CODE
W15074



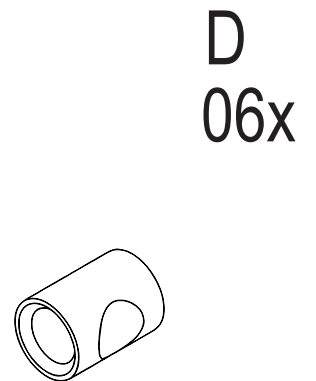
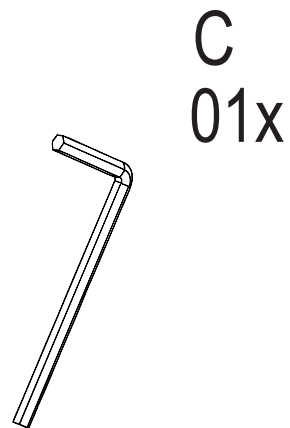
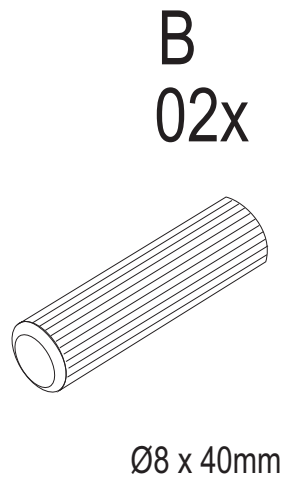
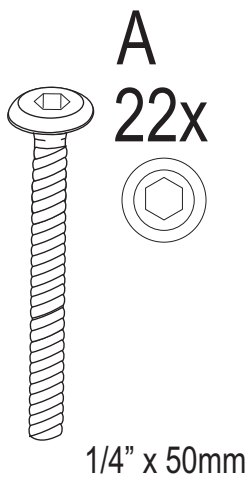
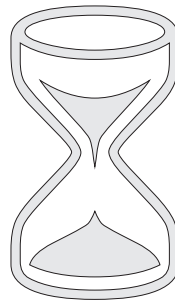
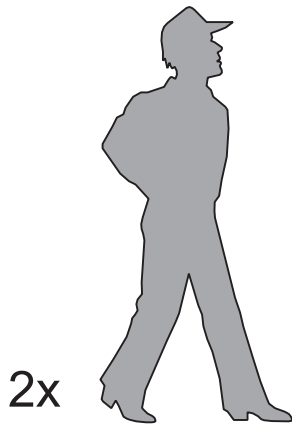
CLASSIC EXAM TREATMENT TABLE WITH H-BRACE



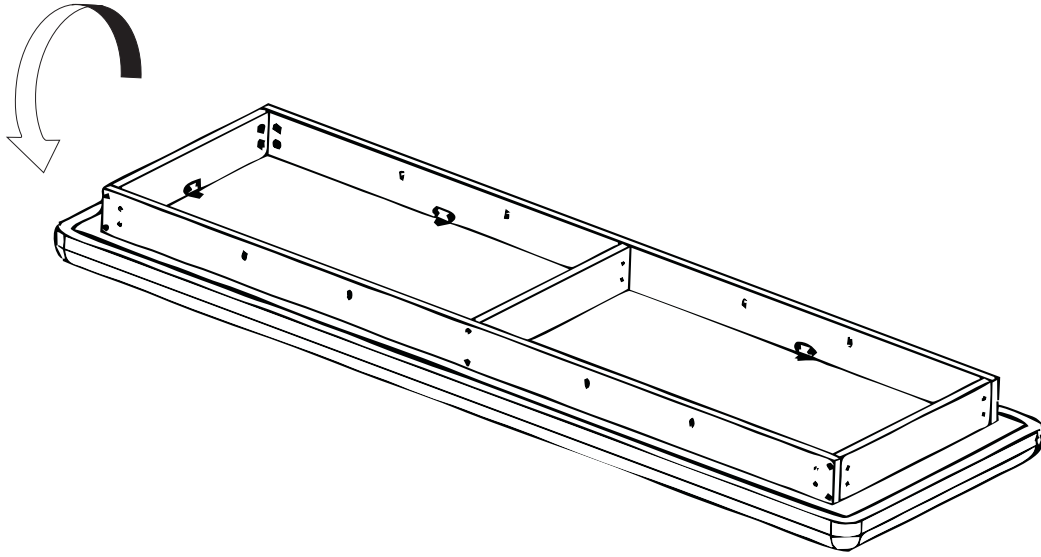
INTERNATIONAL DISTRIBUTOR
3B Scientific GmbH, Hamburg
Rudorffweg 8
21031 Hamburg
www.3bscientific.com



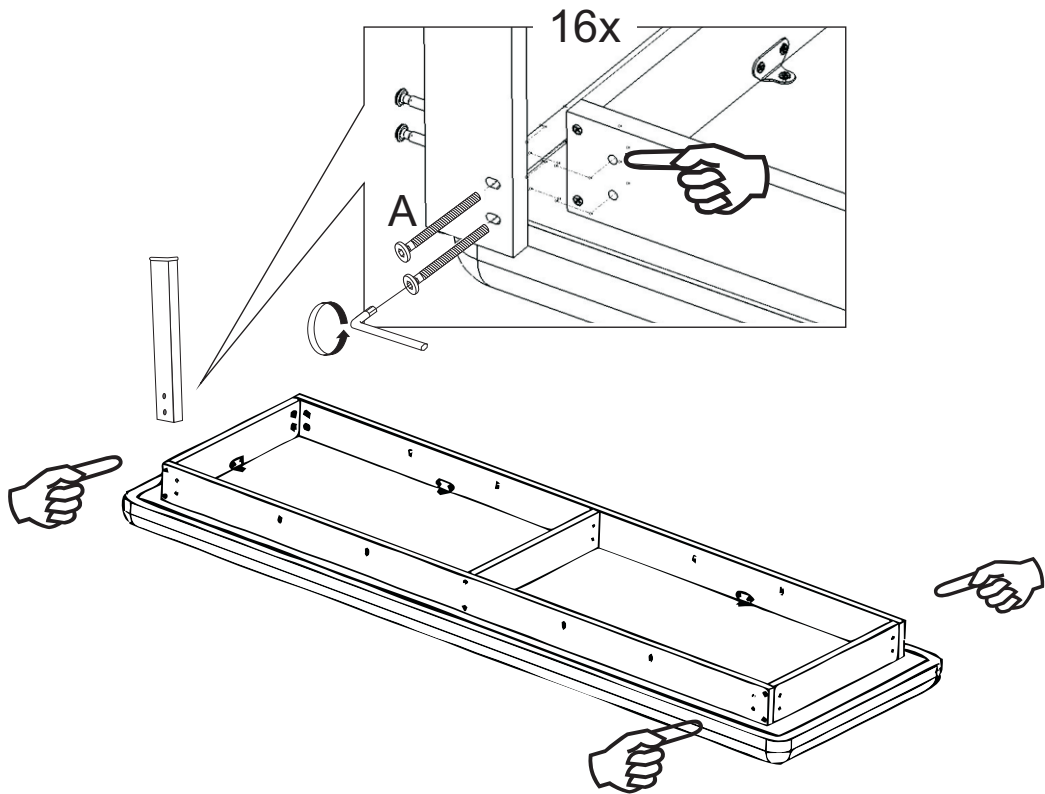
Weight 28,9 Kg



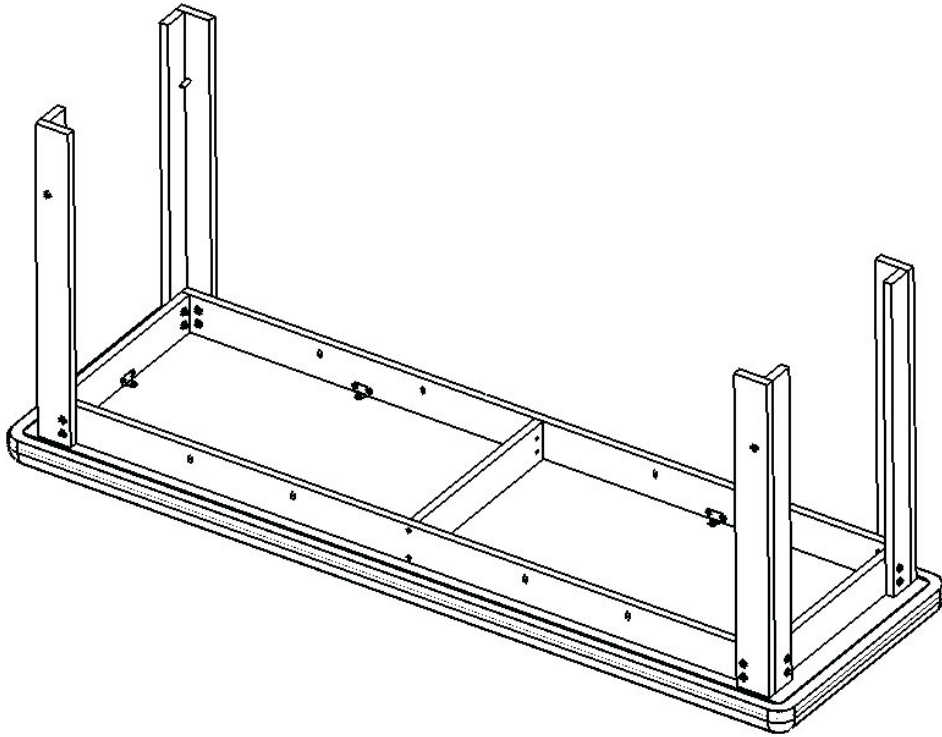
01



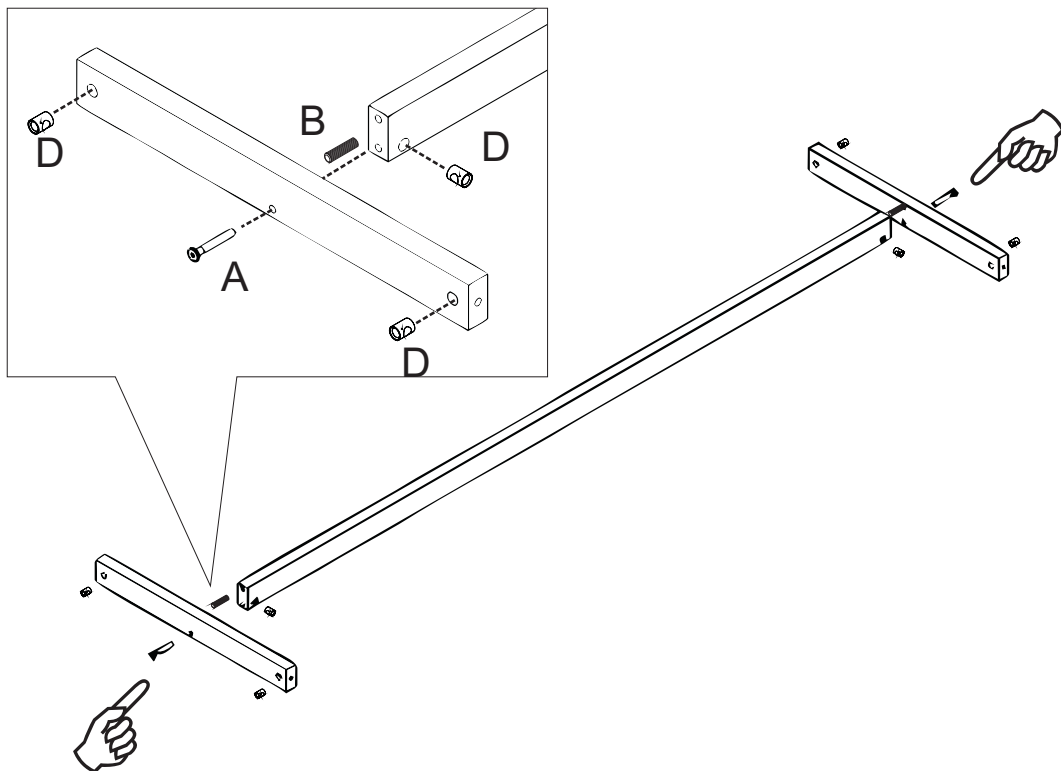
02



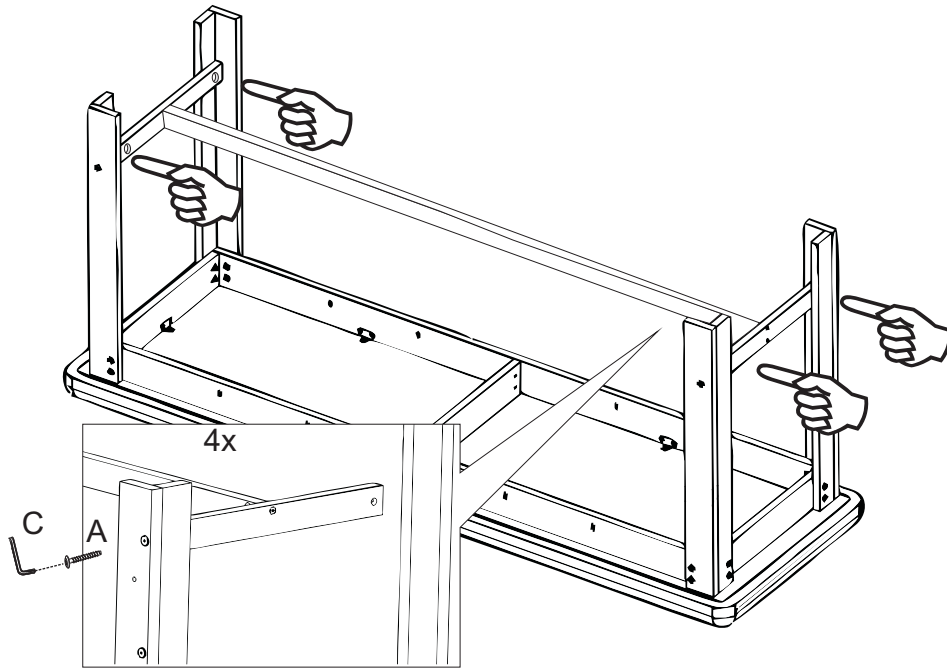
03



04



05



06

