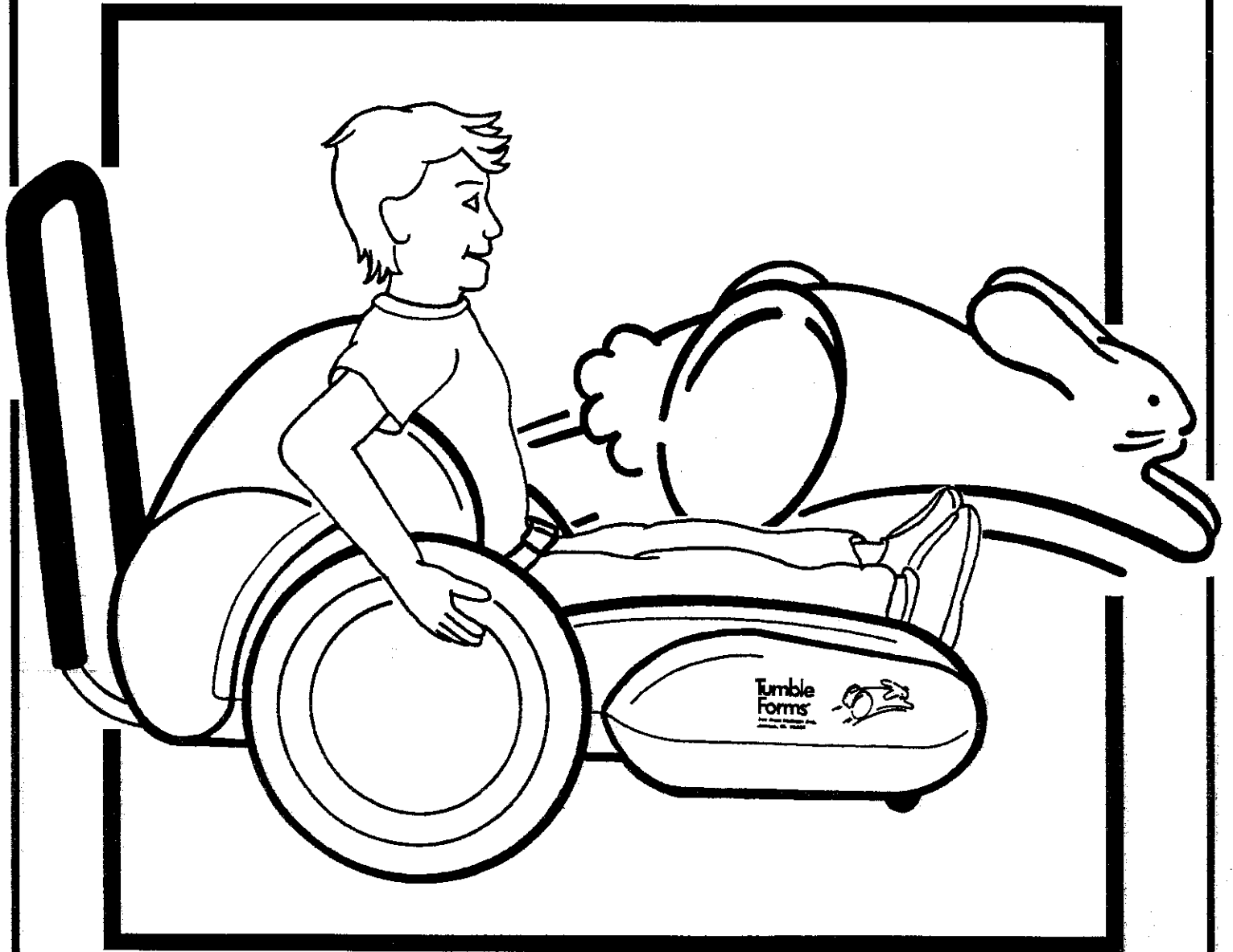


Tumble Forms²
With Anti-Microbial Protection

Ready Racer[®]



Instruction Manual



Ready Racer[®]

The Tumble Forms 2 Ready Racer provides therapy and fun for young children who are non ambulatory. It gives them the opportunity to exercise the upper body and improve arm strength for future wheelchair propulsion. Other benefits of the Ready Racer include the development of perceptual motor coordination through the practice of maneuvers and wheel turns. The Ready Racer allows a child to participate in group activities at floor level along with his peers.

Now Better Than Ever!

Tumble Forms 2 products with anti-microbial protection combine innovative design with superior craftsmanship to provide a high degree of durability, functionality, and attractiveness.

Built into the Tumble Forms 2 coating, the anti-microbial protection works from within to help prevent or inhibit odors and help prevent premature coating wear caused by harmful microorganism growth. It also provides an added degree of protection, helping you maintain cleaner, safer surfaces. It won't wash or wear off. Tumble Forms 2's coating continually works to maintain permanent anti-microbial action, helping Tumble Forms 2 products remain fresher, order-free and longer lasting for the life of the product.

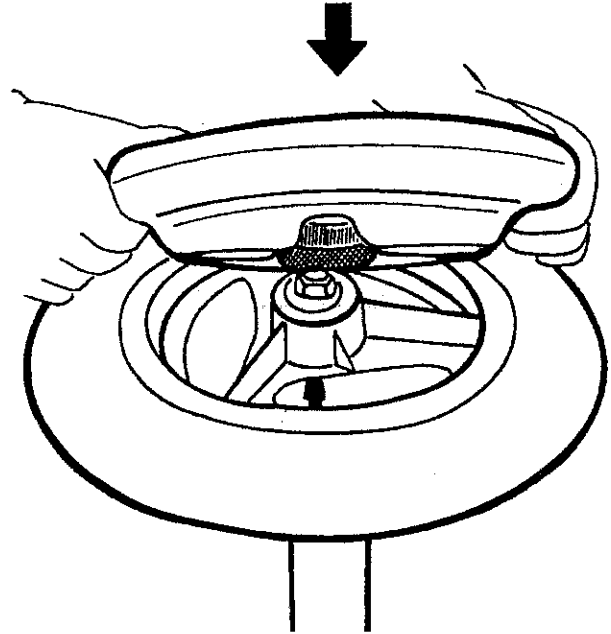
Combining innovative design with superior craftsmanship, Tumble Forms 2 products are designed especially for children and adults with special needs. They provide maximum comfort and positive patient/caregiver reinforcement. Tumble Forms 2 are designed for versatility and durability.

- modular design
- therapists can creatively position clients in an infinite number of ways
- for use in home, school, or clinical settings
- designed for patients from toddler age through early adolescence-even adulthood
- reinforces proper positioning during therapeutic activities
- unique, impermeable, non-stick, non-toxic seamless coating that is flexible and durable
- resists cracking or peeling over an extended period of time-waterproof, stain, solvent and urine-resistant
- high-density, shock-absorbing foam-retains it's shape even after long-term heavy use
- cleans easily with damp cloth and common disinfectants

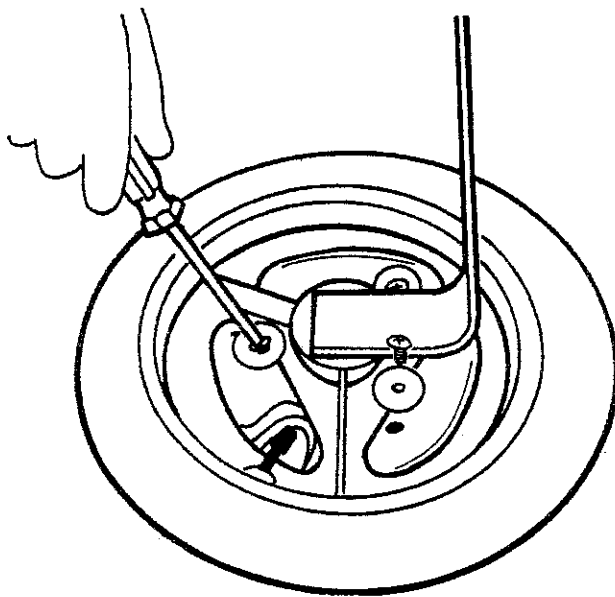
Assembly

The Ready Racer hub must first be attached to the wheel before attaching the axle to the car.

The hub is molded to fit tightly up against the wheel as illustrated.



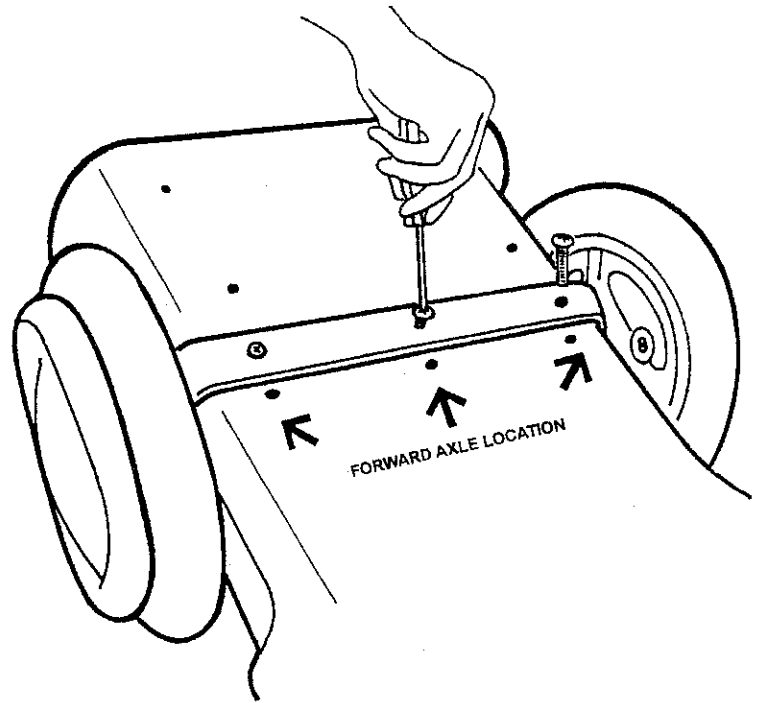
2



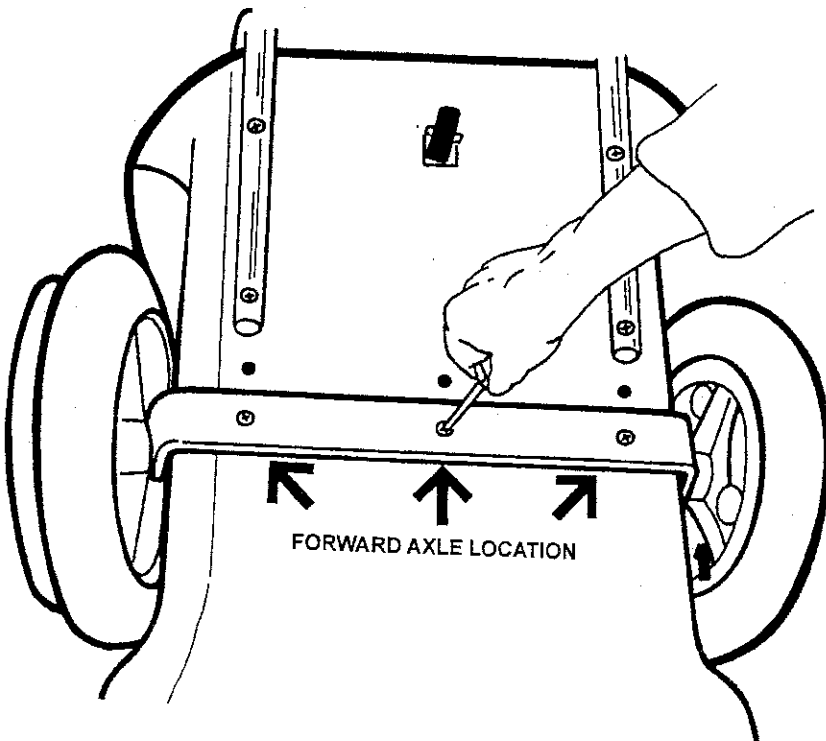
Tighten the three Phillips head screws as shown to secure hub to wheel.

Axle Adjustment

To fasten the axle to the car body align the three holes in the axle with the three screw holes on the underside of car as shown.



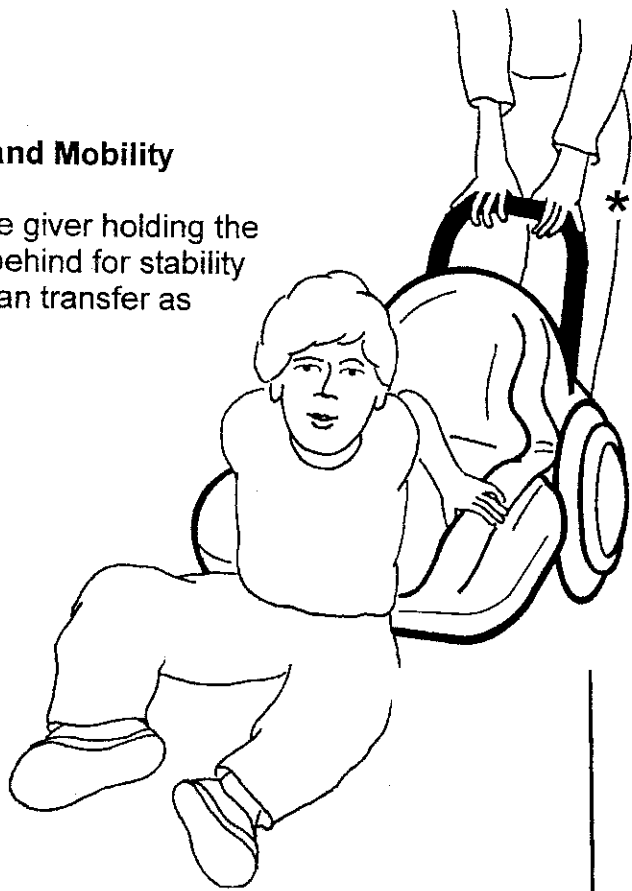
3



The Ready Racer axle can be positioned in the forward axle location to allow smaller children or children with limited arm range of motion the ability to move the wheels easier.

Transfer and Mobility

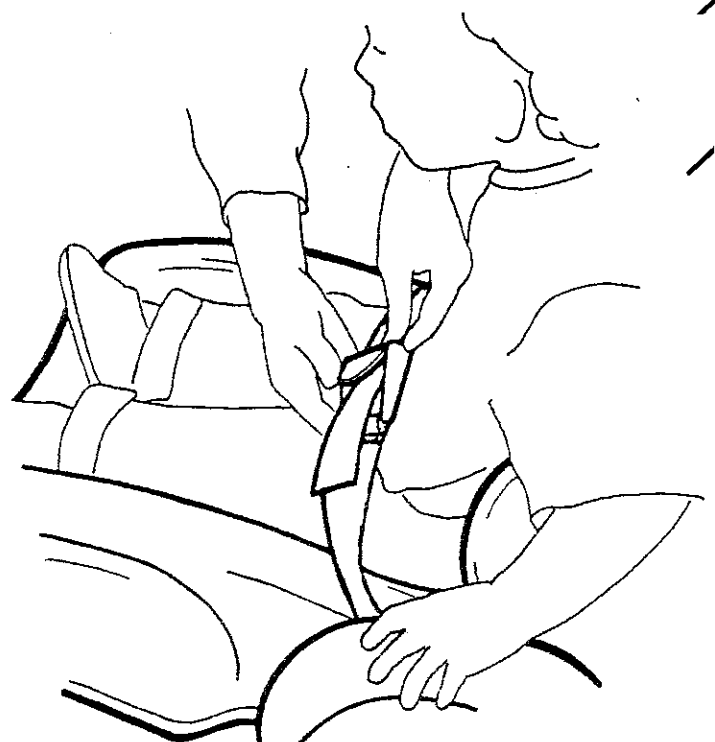
With a care giver holding the cart from behind for stability the child can transfer as illustrated.



The Ready Racer can be placed against a wall for support if the child wants to transfer independently.



4



To fasten the hip strap run the tapered end through the opened lever, adjust to fit, and press buckle lever down to fasten.

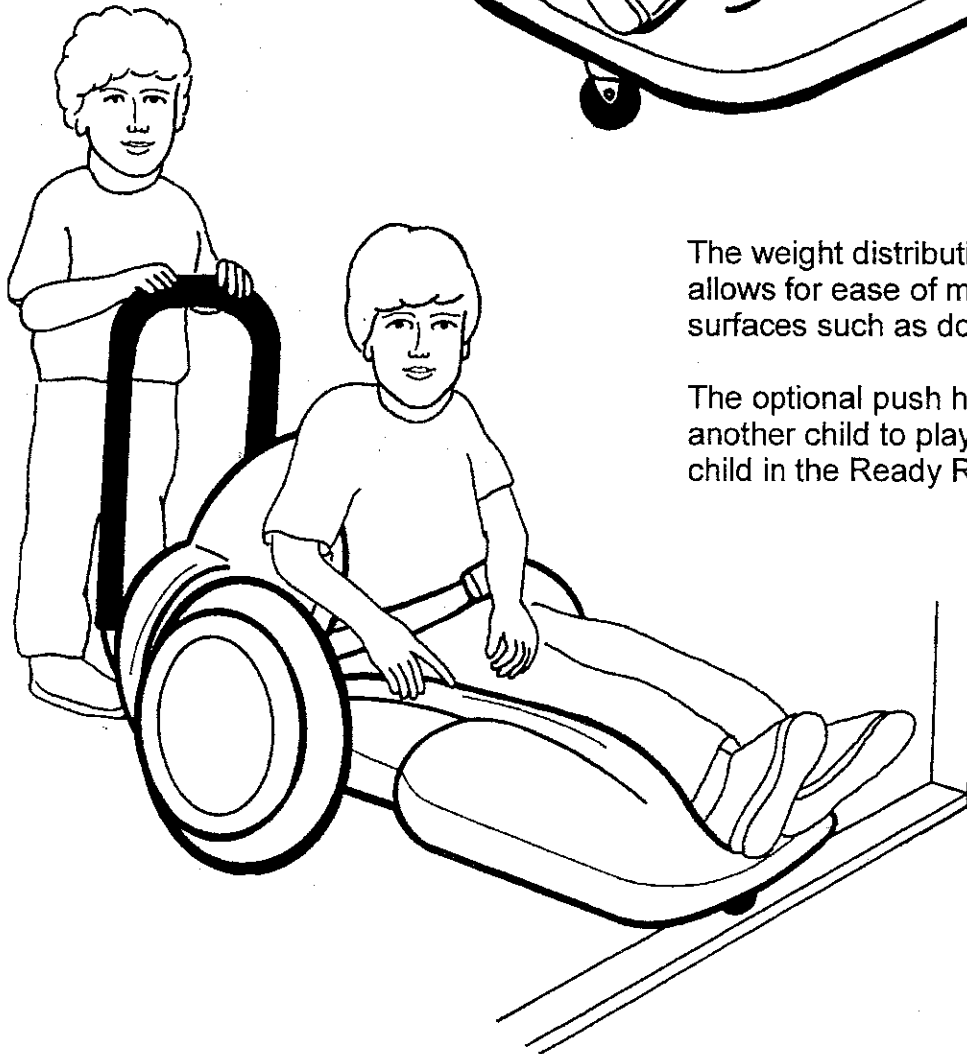
** Ready Racer is shown with optional child-height push handle. Adjustable-height handle is also available.*

Ready Racer[®]

The child is ready to turn the wheels.



5

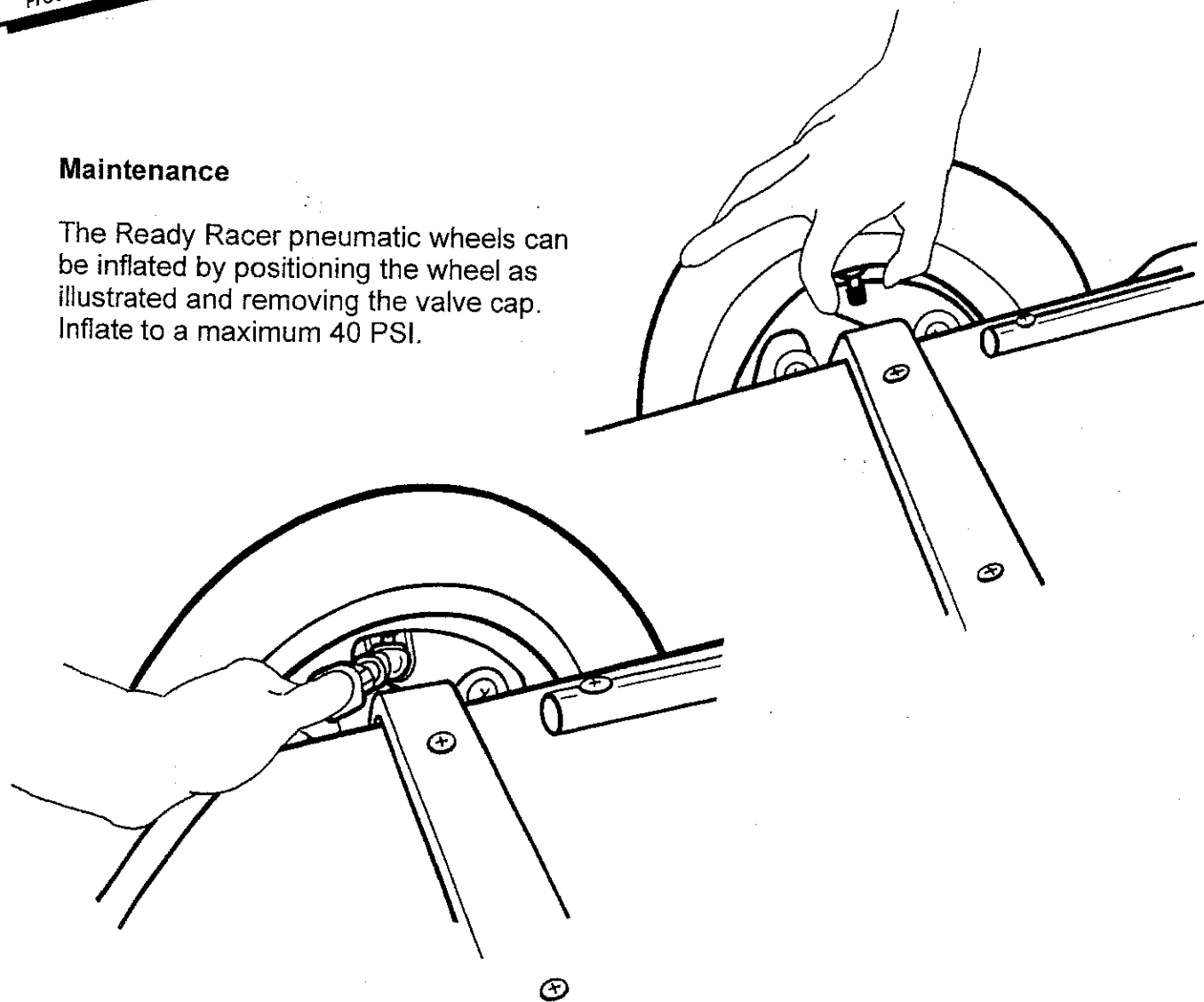


The weight distribution of the Ready Racer allows for ease of maneuvering over raised surfaces such as door sills and carpeting.

The optional push handle makes it fun for another child to play and interact with the child in the Ready Racer.

Maintenance

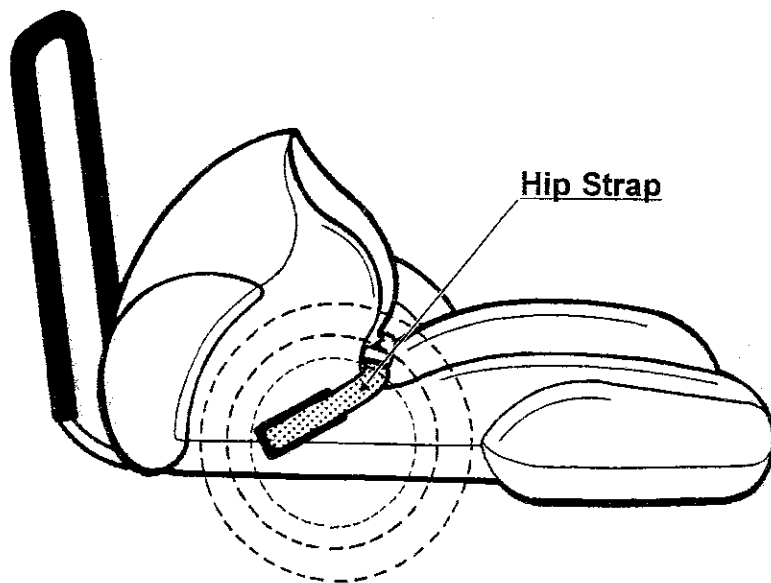
The Ready Racer pneumatic wheels can be inflated by positioning the wheel as illustrated and removing the valve cap. Inflate to a maximum 40 PSI.



6

The hip strap can be removed for cleaning by detaching the Velcro[®] hook and loop fasteners behind the wheels.

The Ready Racer can be cleaned with mild soap and water.

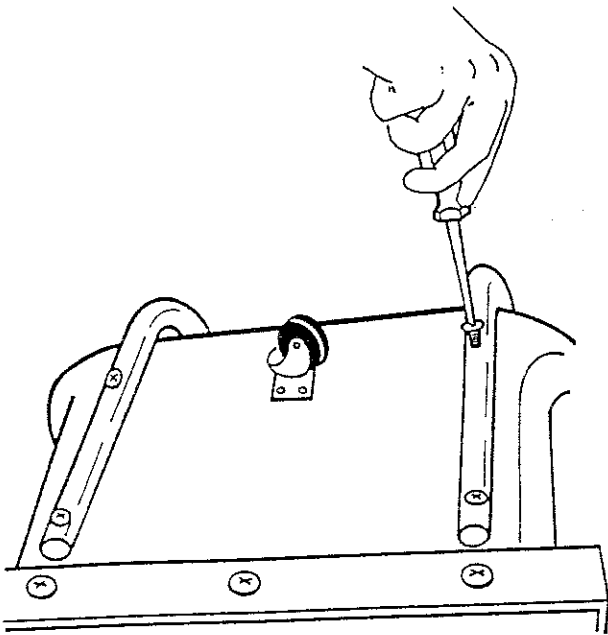
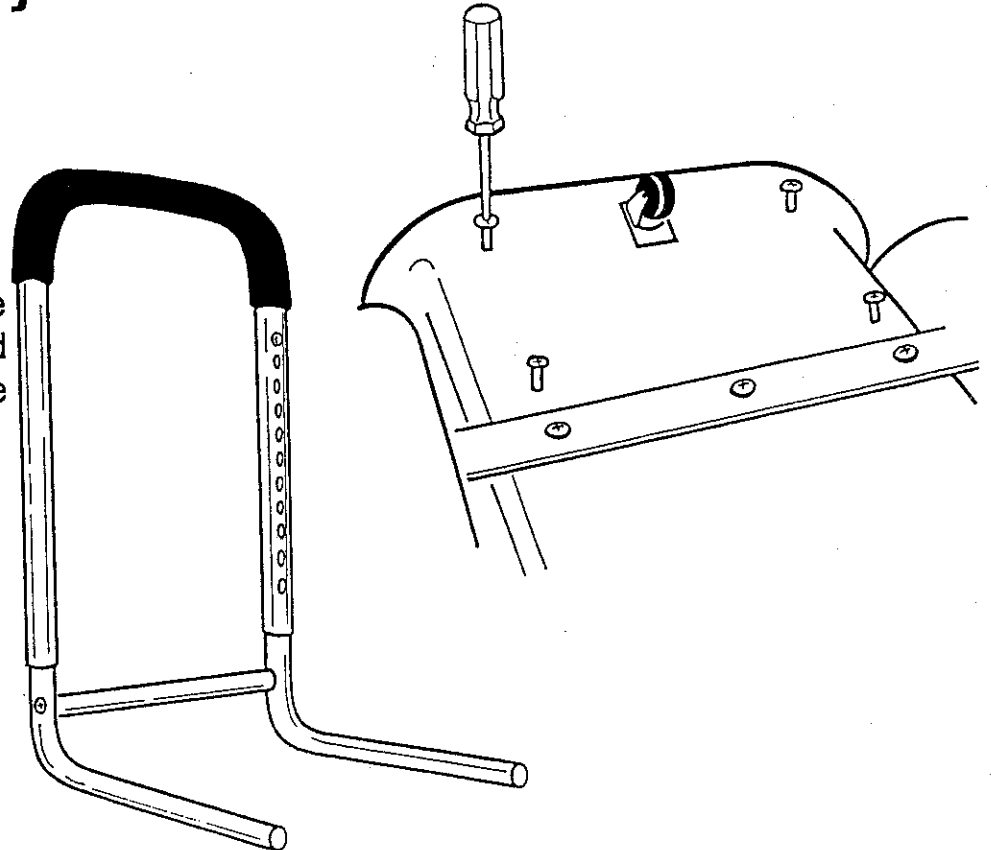


**Tumble
Forms®**

Ready Racer®

Adjustable Handle

To attach the adjustable handle remove the four Phillips head screws on the underside of the base as shown.



Align the 4 screw holes in the handle with the four holes in the base. Insert screws through the holes and tighten.

Tumble Forms²

With Anti-Microbial Protection

NOTICE: THE READY RACER MUST BE USED UNDER ADULT SUPERVISION AT ALL TIMES. THIS PRODUCT IS INTENDED FOR INDOOR USE ONLY.



Sammons Preston Rolyan
An AbilityOne Company
4 Sammons Court
Bolingbrook, IL 60440-4989
Phone: 1-800-323-5547
In Canada Phone: 1-800-665-9200