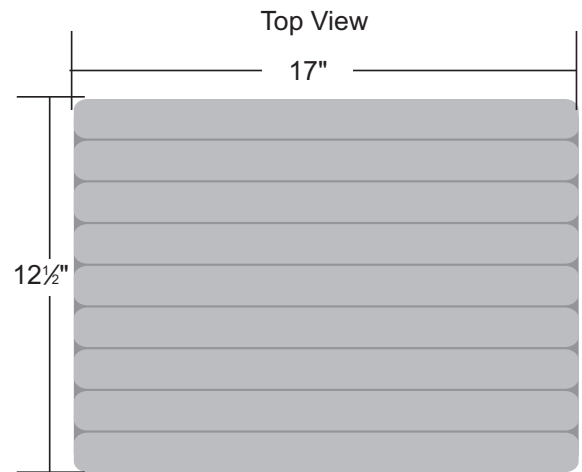
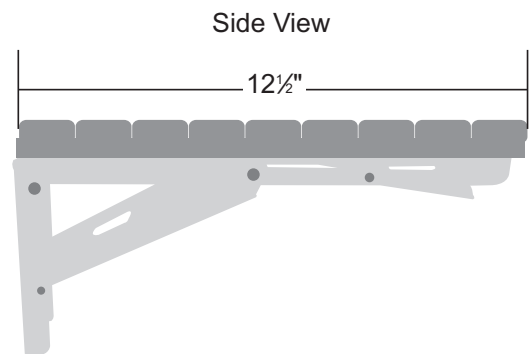


156-B Galewski Drive | Winona, MN 55987 | 866.969.8325 | 507.452.1785 | fax: 507.858.0211 | www.teakworks4u.com

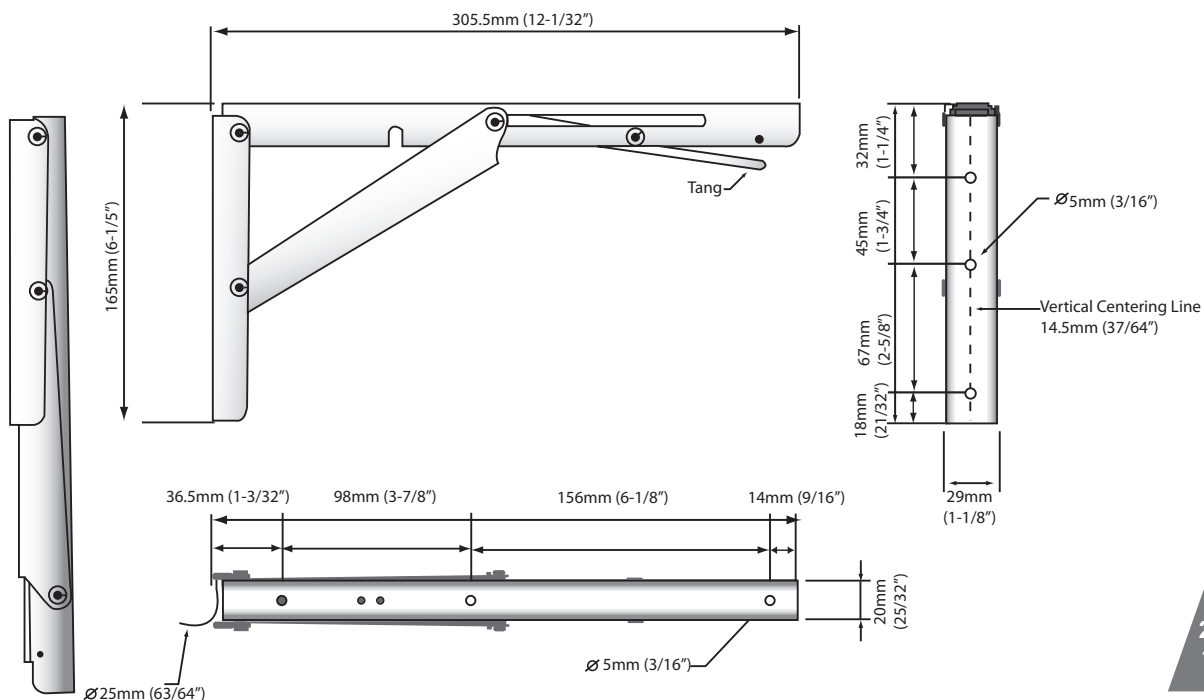


- Mounts directly to the shower wall
- 304 Stainless Steel wall brackets lock securely into place when the seat is lifted, yet folds down easily when not in use
- Brackets are set 16" on center
- Seat remains in raised position until you fold it down
- Low pressure spring action makes it easy to raise and lower the seat
- Rounded edges on seat battens for comfort and safety



**Dimensions:**

- 17"W x 12 1/2"D (431.8 x 317.5mm) Bracket



**User Weight Capacity\***