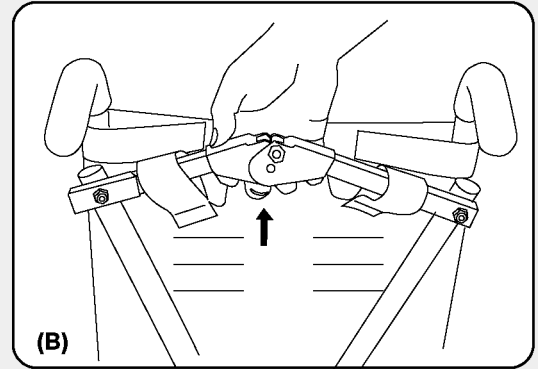
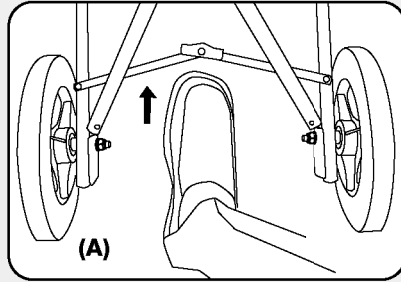


Important Information

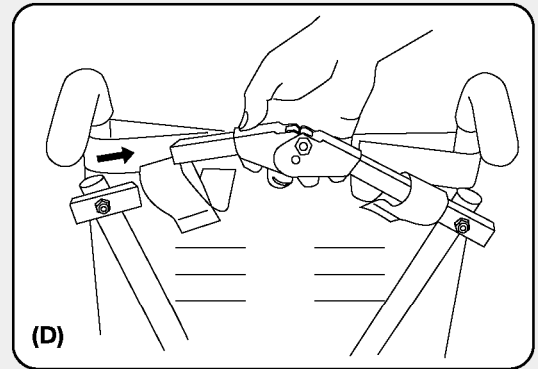
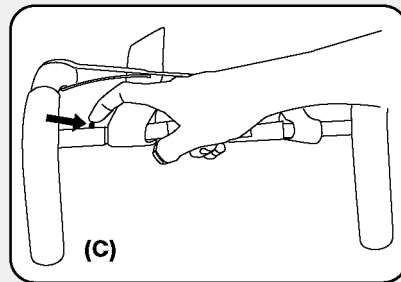
1

Release the Lower Rear Lock Brace by pushing up on the center of brace with foot **(A)**. Release the Upper Rear Lock Brace by lifting up on the center of brace **(B)**.



2

Press in the silver snap button on the Upper Rear Lock Brace **(C)** and lift the lock brace out of the housing **(D)**.

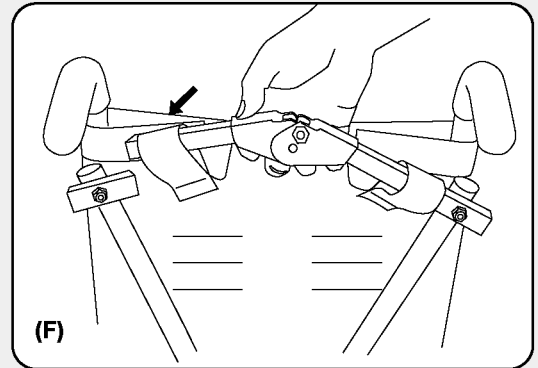
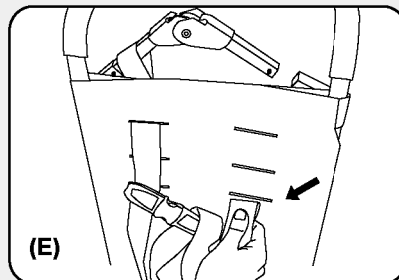


3

Pull shoulder strap through the upholstery, reposition to the desired height, and reinsert it back through the seat upholstery **(E)**. Slide the shoulder harness loop on to the Upper Rear Lock Brace and reinsert the Lock Brace into the housing **(F)**. Repeat steps 1-3 for the opposite side.

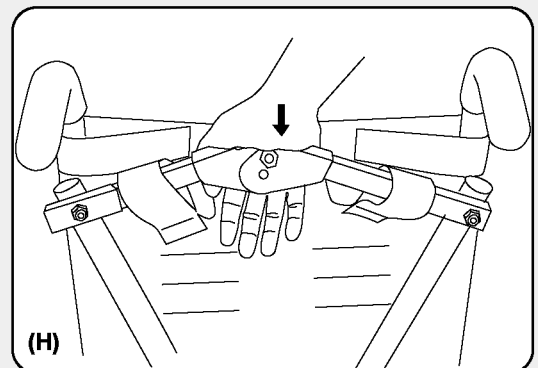
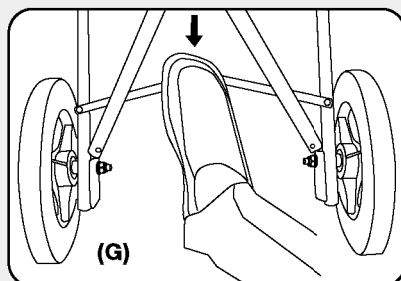
Note:

The shoulder straps should be positioned in slots that are slightly above the shoulders of the child, and as the child grows, they should be moved to maintain a height above the shoulder level.



4

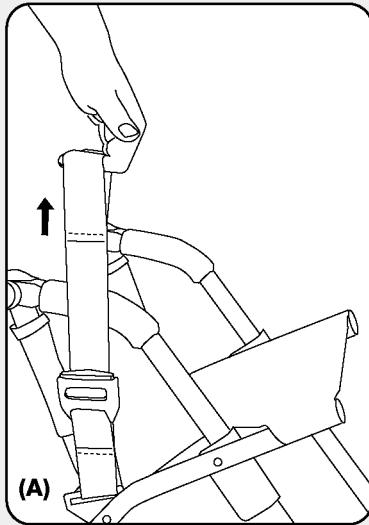
Lock the Lower **(G)** and Upper Rear Lock Braces **(H)** by pressing down on each brace.



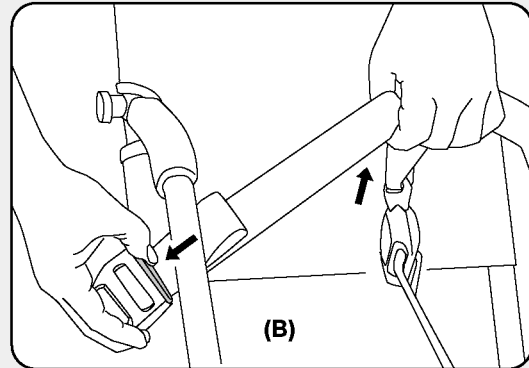
(continued on reverse)

Adjusting the Pelvic Belt Straps

1



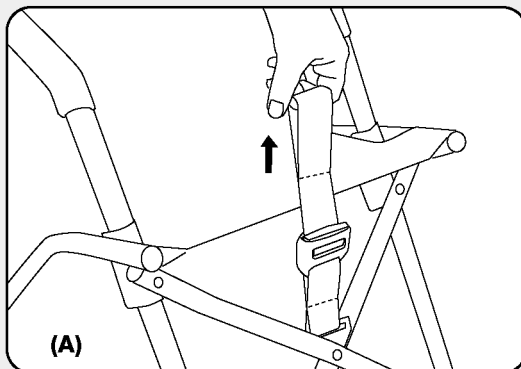
To Tighten:
Tighten the pelvic belt straps by pulling on the loop located at the end of the strap **(A)**.



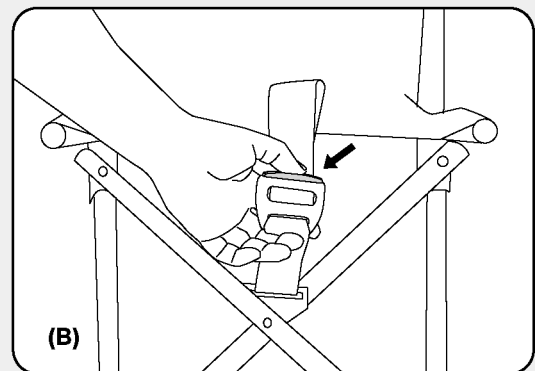
To Loosen:
Loosen the pelvic belt strap by pushing the gray button on the Strap Adjustment Lock and pulling on the end of the strap closest to the buckle **(B)**.

Adjusting the Crotch Strap

1



To Tighten:
Tighten the Crotch Strap by pulling on the loop located at the end of the strap **(A)**.



To Loosen:
Loosen the Crotch Strap by pushing the gray button on the Strap Adjustment Lock and pulling **(B)**.