

***INVACARE MOBILE
RECLINERS***

***Traditional Three - Position
Recliner Model 6905A***

***Premier Three - Position
Recliner Model 6907A***

***Clinical Recliner
Model 6908A***

USER: BEFORE USING THIS RECLINING CHAIR, READ
THIS MANUAL AND SAVE FOR FUTURE REFERENCE.



Yes, you can.™

WARNING

DO NOT OPERATE THIS EQUIPMENT WITHOUT FIRST READING AND UNDERSTANDING THIS MANUAL. IF YOU ARE UNABLE TO UNDERSTAND THE WARNINGS, CAUTIONS, AND INSTRUCTIONS, CONTACT A HEALTHCARE PROFESSIONAL, DEALER OR TECHNICAL PERSONNEL IF APPLICABLE BEFORE ATTEMPTING TO USE THIS EQUIPMENT - OTHERWISE INJURY OR DAMAGE MAY RESULT.

SPECIAL NOTES

WARNING/CAUTION notices as used in this manual apply to hazards or unsafe practices which could result in personal injury or property damage.

NOTICE

THE INFORMATION CONTAINED IN THIS DOCUMENT IS SUBJECT TO CHANGE WITHOUT NOTICE.

WARNING

INVACARE MOBILE RECLINER TIE-DOWN RESTRAINTS AND SEAT POSITIONING STRAPS

INVACARE recommends that Mobile Recliner users **NOT** be transported in vehicles of any kind while in recliners. As of this date, the Department of Transportation has not approved any tie-down systems for transportation of a user while in a Mobile Recliner, in a moving vehicle of any type.

INVACARE Mobile Recliners have not been designed and/or tested for seating surfaces or vehicle chairs for occupant use within any type of vehicle.

It is **INVACARE's** position that users of Mobile Recliners should be transferred into appropriate seating in vehicles for transportation and use be made of the restraints made available by the auto industry. To date, **INVACARE** does not have, nor do we have any say, in the recommendation of the manufacture of Mobile Recliner transportation systems.

AS REGARDS TO RESTRAINTS - SEAT POSITIONING STRAPS - IT IS THE INVACARE MOBILE RECLINER USER AND HIS/HER HEALTH CARE PROFESSIONAL THAT IS TO DETERMINE THE SAFEST RESTRAINTS TO BE USED CONSIDERING ALL LIMITATIONS OF THE MOBILE RECLINER USER.

SAVE THESE INSTRUCTIONS

TABLE OF CONTENTS

NOTE: Unless otherwise noted, the following procedures apply to all recliner models.

SPECIAL NOTES	2
SPECIFICATIONS	4
PROCEDURE 1 - GENERAL GUIDELINES	5
OPERATING INFORMATION.....	5
WEIGHT LIMITATIONS	6
TILT AND/OR RECLINER OPTION OPERATED BY AN ATTENDANT	6
PROCEDURE 2 - SAFETY INSPECTION CHECKLIST	7
SAFETY INSPECTION CHECKLIST	7
PROCEDURE 3 - ASSEMBLY PROCEDURES	8
ASSEMBLING THE RECLINER.....	8
PROCEDURE 4 - OPERATING INSTRUCTIONS	11
RECLINING THE CHAIR USING THE POSITION LOCK LEVER - 6905A/6907A	11
RECLINING THE CHAIR WITHOUT USING THE POSITION LOCK LEVER - 6905A/6907A	12
RECLINING THE CHAIR - 6908A	13
POSITIONING THE ARTICULATING HEADREST ON ALL MODELS.....	13
LOCKING/UNLOCKING THE REAR WHEELS	14
INSTALLING TRAY INTO POSITION	14
STORING/REMOVING THE TRAY	16
ADJUSTING THE TRAY POSITION	18
PROCEDURE 5 - GENERAL MAINTENANCE	19
REPLACING TRAYS.....	19
REMOVING/INSTALLING BACK CUSHION.....	21
REMOVING/INSTALLING SIDE PANEL MODEL.....	22
REPLACING FOOTREST GUARD	24
REPLACING SCISSOR MECHANISM GUARD	25
REPLACING FOOTREST CUSHION	26
REPLACING THE FOAM PAD ON THE PUSH HANDLE	26
REPLACING THE ELBOW PADS MODEL 6908A.....	27
REPLACING CASTERS.....	28
ADJUSTING GAS SPRING RECLINE CYLINDER ASSEMBLY MODEL 6908A ONLY	29
REPLACING THE RELEASE HANDLE AND CABLE ASSEMBLY	30
CLEANING THE UPHOLSTERY	31
WARRANTY	BACK COVER

TABLE OF CONTENTS

SPECIFICATIONS

SPECIFICATIONS

PHYSICAL DIMENSIONS	Model No. 6905A	Model No. 6907A	Model No. 6908A
Overall Height:	45-1/2-inches (115.57 cm)	45-1/2-inches (115.57 cm)	50-inches (127 cm)
Overall Width:	24-inches (60.96cm)	28-1/4-inches (71.76 cm)	30-1/4-inches (76.84 cm)
Overall Depth Upright:	43-inches (109.22 cm)	43-inches (109.22 cm)	40-inches (101.6 cm)
Overall Depth Recline:	66-inches (167.64 cm)	66-inches (167.64 cm)	77-inches (195.58 cm)
Seat Width:	18-3/4-inches (47.63 cm)	18-3/4-inches (47.63 cm)	21-1/4-inches (53.98 cm)
Seat Depth:	20- inches (50.8 cm)	20-inches (50.8 cm)	19-1/2-inches (49.53 cm)
Seat-to-Back Height:	27-inches (68.58cm)	27-inches (68.58cm)	29-1/2-inches (74.93 cm)
Seat-to-Floor Height:	18-1/2-inches (46.99 cm)	18-1/2-inches (46.99 cm)	20-1/2-inches (52.07 cm)
Seat Angle Range:	11-35°	11-35°	17-33°
Back Angle Range:	28-51°	28-51°	28-85°
Overall Tray Length and Width:	18 x 23-1/4-inches (45.72 x 59.06 cm)	18 x 23-1/4-inches (45.72 x 59.06 cm)	10 x 19-inches (25.4 x 48.26 cm)
Weight Limitation:	250 lbs. (113.5 kg)	250 lbs. (113.5 kg)	250 lbs. (113.5 kg)
Product Weight:	89 lbs. (40.5 kg)	107 lbs. (48.6kg)	123 lbs. (55.8 kg)
Shipping Weight:	102 lbs. (46.4 kg)	125 lbs. (56.8 kg)	141 lbs. (64 kg)

<i>This Procedure Includes the Following:</i>
<i>Operating Information</i>
<i>Weight Limitations</i>
<i>Tilt and/or Recline Option Operated by an Attendant</i>

OPERATING INFORMATION

GENERAL WARNINGS

DO NOT use near an open flame or heat source, as all upholstery materials, even though treated with flame retardant, can ignite when exposed to open flame.

Rear caster wheels **MUST** be locked during user transfer to or from recliner and while tilting and/or reclining or inclining (reverse recline).

DO NOT enter or exit the recliner when footrest is elevated.

DO NOT sit on the footrest when recliner is extended. The recliner **WILL** tip and bodily injury may occur.

DO NOT push or pull footrest to position the recliner.

DO NOT place hands or feet into any openings when adjusting the recliner. Attendant or care provider should always verify placement of user's hands and feet prior to adjusting the recliner. Failure to do so may result in serious bodily injury.

Operation of recliner with missing or broken footrest or mechanism guards may result in bodily injury. Periodic inspection of the footrest guard and scissor mechanism guard **MUST** be made four (4) times a year. Torn, cracked or otherwise damaged guards **MUST** be replaced prior to use. Recliner **MUST** be removed from service until replacement guards are installed.

DO NOT lift the recliner by the footrest. Lifting by means of the footrest may result in injury to the user and/or damage to the recliner.

DO NOT attempt to stop the recliner while in motion with the wheel locks. **WHEEL LOCKS ARE NOT BRAKES.**

Before attempting to transfer in or out of the recliner, every precaution should be taken to reduce the gap distance. Turn the recliner toward the object you are transferring onto. When transferring to and from the recliner, **ALWAYS ENGAGE BOTH WHEEL LOCKS.** Special care **MUST BE** taken with people that have physical limitations which may require an assistant.

DO NOT traverse, climb or go down ramps or slopes **GREATER** than 9°.

DO NOT use parts, accessories, or adapters other than those authorized by Invacare.

WEIGHT LIMITATIONS

WARNINGS

The weight limitation for Invacare Mobile Recliners is 250 lbs. (113.6 kg).

The tray for models 6905A, 6907A, and 6908A has a weight limitation of 40 lbs. (18.2 kg).

TILT AND/OR RECLINER OPTION OPERATED BY AN ATTENDANT

WARNINGS

Test the tilt and recline feature of the recliner first without an occupant to ensure the gas cylinder is operational. **DO NOT** operate the recline option if the gas cylinder is not operational.

ALWAYS make sure that the recliner is stable **BEFORE** using the tilt and/or recliner option.

Make sure the patient is properly positioned in the recliner before tilting, reclining or inclining (reverse recline) to maintain maximum stability and safety.

When returning the occupant of the recliner to the full upright position, more body strength will be required for approximately the last twenty (20) degrees of incline (reverse recline). Make sure to use proper body mechanics (use your legs) or seek assistance to avoid injury.

Physical limitations of a user and larger occupants of the recliner can present conditions that can injure the assistant. When in doubt, assure that additional assistants are present before operating the tilt and/or recline feature.

This Procedure Includes the Following:

Safety Inspection Checklist

SAFETY INSPECTION CHECKLIST

NOTE: Once a year or as necessary take your mobile recliner to a qualified technician for a thorough inspection and servicing. Regular cleaning will reveal loose or worn parts and enhance the smooth operation of your mobile recliner. To operate properly and safely, your mobile recliner must be cared for appropriately. Routine maintenance will extend the life and efficiency of the recliner.

NOTE: Initial adjustments should be made to suit your personal body structure and preference. Thereafter follow these maintenance procedures:

ITEM	INITIALLY	QUARTERLY	ANNUALLY
GENERAL • Recliner rolls straight (no excessive drag or pull to one side).	X	X	
SEAT AND BACK • Inspect for rips or sagging. • Inspect seat upholstery to ensure it is fastened to seat frame.	X	X	X
CASTERS • Inspect wheel/fork assembly for proper tension by spinning caster; caster should come to a gradual stop. • Loosen/tighten locknut if wheel wobbles noticeably or binds to a stop. CAUTION: As with any vehicle, the casters should be checked periodically for cracks and wear, and should be replaced.	X X	X X	
TRIGGER RELEASE LEVER/ CABLE • 6908A only - Cables completely release and handles return when released.	X	X	
GAS CYLINDERS • 6908A only - Inspect for leaking oil.	X		X
CLEANING • Clean upholstery and armrests.	X		X
FOOTREST GUARD/ SCISSOR MECHANISM GUARD • Inspect for damage (torn,cracked).	X	X	

This Procedure Includes the Following:
Assembling the Recliner

ASSEMBLING THE RECLINER

ASSEMBLING MODELS 6905A AND 6907A (FIGURE 1)

1. Remove back frame with back cushion from its carton.
 2. Remove the two (2) hex screws from the lower portion of the back cushion.
- NOTE: Ensure that footrest is in closed position before installing the back frame with cushion.*
3. Position the guide tubes of the back frame over the seat frame.
 4. Insert the guide tubes into the seat frame.
 5. Align the two (2) mounting holes in the lower portion of the back cushion with the two (2) mounting holes in the seat frame crossbrace and install the two (2) hex screws removed in **STEP 2**. Securely Tighten.
 6. Securely tighten the two (2) hex screws to secure the back cushion to the back frame.

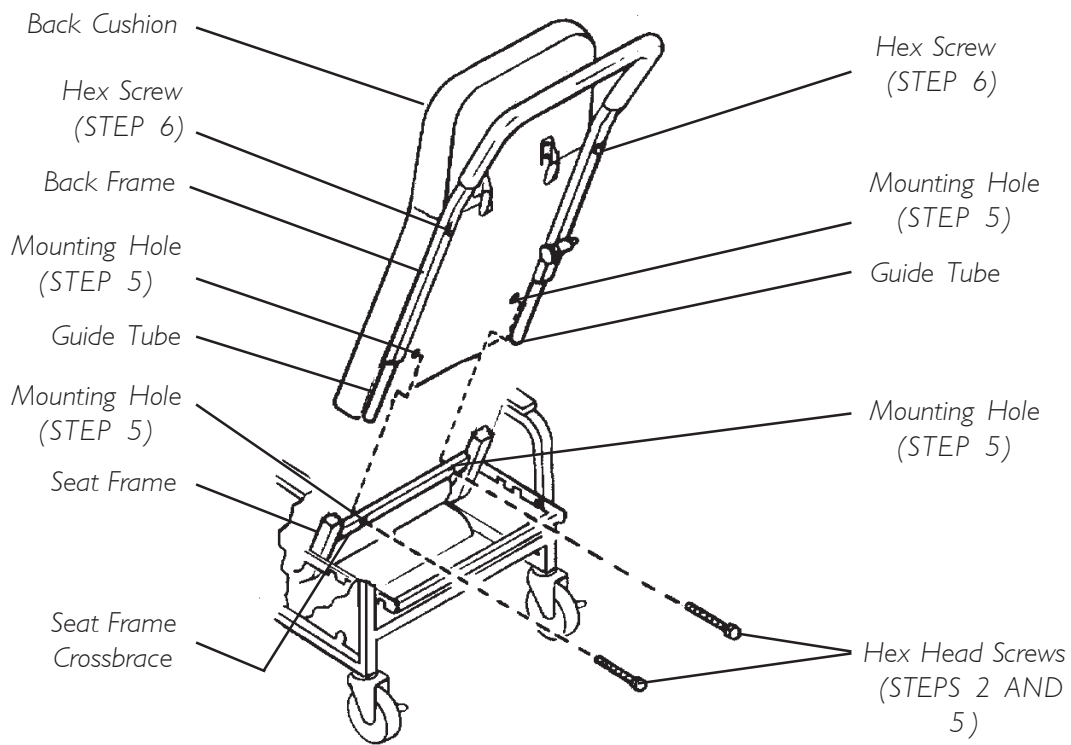


FIGURE 1 - ASSEMBLING THE RECLINER - MODELS 6905A AND 6907A

ASSEMBLING MODEL 6908A (FIGURE 2)

1. Remove back assembly from its carton.

NOTE: Ensure that footrest is in the closed position before installing back assembly.

2. Position the bottom front of the recliner against a stationary object.
3. Lock the rear wheels. Refer to LOCKING/UNLOCKING THE REAR WHEELS in PROCEDURE 4 of this manual.

CAUTION

DO NOT remove bolts A, B, C, and D, otherwise damage to the back may occur.

NOTE: Loosening bolts A, B, C, and D will start to separate the back cushion from the back frame.

4. Loosen, but do not remove, bolts A, B, C, and D until there is a distance of 1/2-inch between the back cushion and the back frame to allow room for elbow pad installation.
5. Position elbow pad bracket so the elbow pad faces the front of the recliner as shown in FIGURE 2.
6. Line up bottom slot in elbow pad bracket with bolt C and slide elbow pad bracket between back frame and back cushion. Tighten bolt securely.
7. Line up bottom slot of remaining elbow pad bracket with bolt D and slide elbow pad bracket between back frame and back cushion. Tighten bolt securely.
8. Position the back assembly over the seat frame as shown in DETAIL "A" in FIGURE 2.
9. Align the holes in the back assembly brackets with the holes in the seat frame as shown in DETAIL "A" in FIGURE 2.
10. Insert a clevis pin through back assembly bracket and seat frame as shown in DETAIL "A" in FIGURE 2. Repeat for opposite side.
11. Align the bottom "U" bracket with the bracket on the center of the seat frame.
12. Insert a clevis pin through the "U" bracket and through the bracket on the seat frame.
13. Insert a hitch pin into each of the three (3) clevis pins. Ensure hitch pins are completely engaged through clevis pins.

NOTE: When installing hitch pins into clevis pins push the side panels towards outside of recliner for easier access.

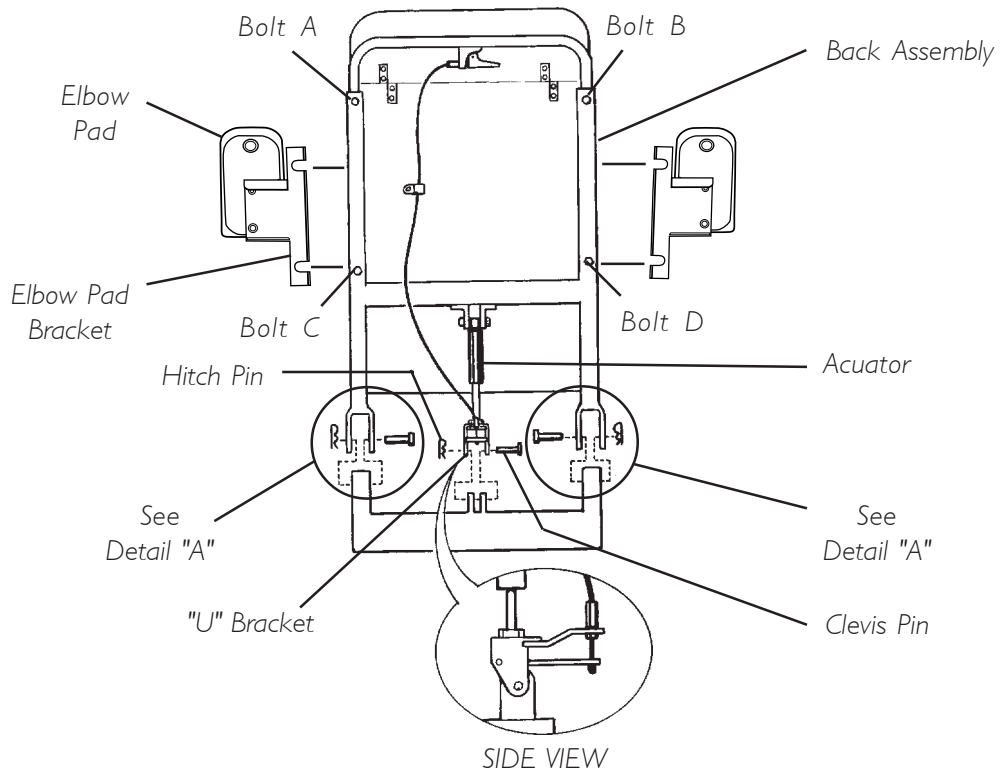
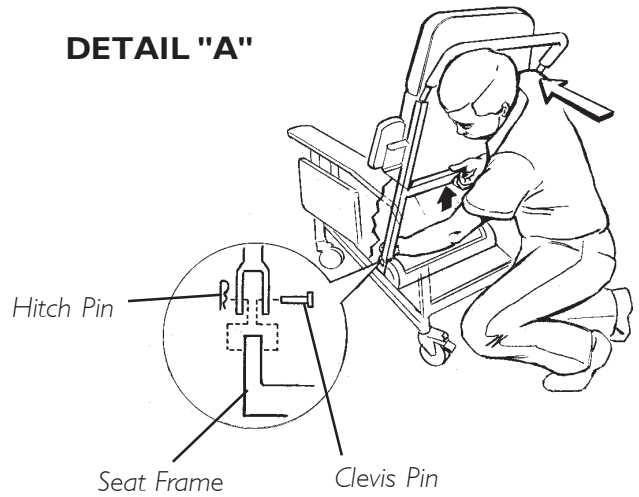


FIGURE 2 - ASSEMBLING THE RECLINER - MODEL 6908A

This Procedure Includes the Following:***Reclining The Chair Using The Position Lock Lever - 6905A/6907A******Reclining The Chair Without Using The Position Lock Lever - 6905A/6907A******Reclining The Chair - 6908******Positioning The Articulating Headrest On All Models******Locking/Unlocking The Rear Wheels******Installing Tray into Position******Storing/Removing the Tray******Adjusting The Tray Position*****CAUTION**

Ensure that there is adequate room to operate the Invacare Mobile Recliner. There must be at least 3 feet clearance between the top of the recliner back and the surrounding objects, otherwise damage to the recliner and or surrounding property may occur.

RECLINING THE CHAIR USING THE POSITION LOCK LEVER - MODELS 6905A AND 6907A (FIGURE 1)

NOTE: The position lock lever is not available on model 6908A. The position lock lever reclines the back and locks it into position. The user cannot recline the chair by pushing on the arms when the position lock lever is in use. Refer to RECLINING THE CHAIR WITHOUT USING THE POSITION LOCK LEVER in this manual..

WARNING

Ensure that the position lock lever is in the locked position when occupying the recliner, otherwise bodily injury may occur to the occupant or to an individual standing behind the recliner.

NOTE: Right and left sides are determined by the user's seated position.

1. Locate the plunger release knob on the right side of the back frame.
2. Pull the knob outward and hold.
3. Pull the position lock lever out.
4. Align one pair of the notches on the position lock lever with the studs on the inner seat frames.
5. To readjust position of lock lever perform the following:
 - A. Grasp position lock lever.
 - B. Pull up to remove the lock lever from the studs.
 - C. Adjust the lock lever to a different position.
 - D. Secure lock lever in place by engaging it in the notches on the studs.

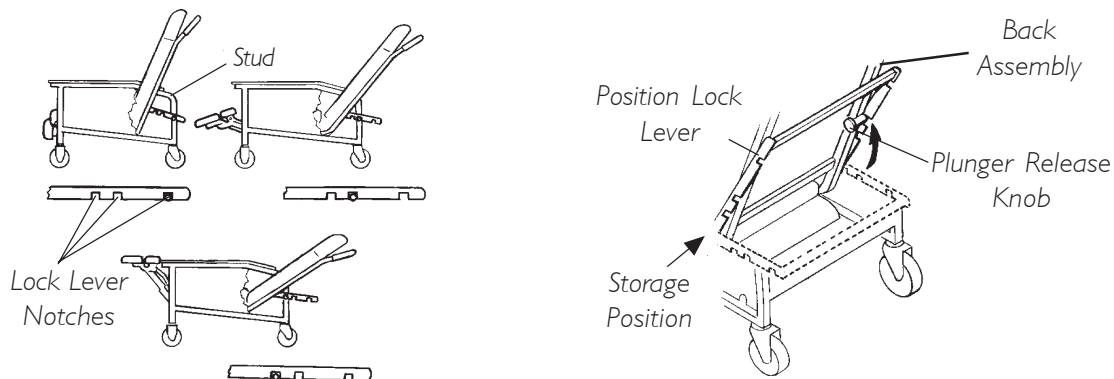


FIGURE 1 - RECLINING THE CHAIR USING THE POSITION LOCK LEVER - MODELS 6905A AND 6907A

RECLINING THE CHAIR WITHOUT USING THE POSITION LOCK LEVER - MODELS 6905A AND 6907A (FIGURES 1 AND 2)

1. Locate the plunger release knob on the back assembly. Refer to FIGURE 1.
2. Pull the knob outward and hold.
3. Push the position lock lever up against the back assembly frame and release the plunger release knob.

NOTE: The knob will hold the position lock lever in the stored position preventing it from locking into the studs on the frame.

4. While seated in recliner, grip the armrests and simultaneously lean body weight back and push forward with your arms.

NOTE: The footrest assembly will elevate automatically as the chair is reclined.

NOTE: The occupant should not be required to exert excessive force to change recline positions. If the recliner exhibits difficulty in reclining, the position lock lever may be engaged and an attendant should be called to put position lock lever in the stored position. If recliner still exhibits difficulty in reclining, call a qualified technician, Invacare dealer or Invacare Technical Services at the number listed on the back page.

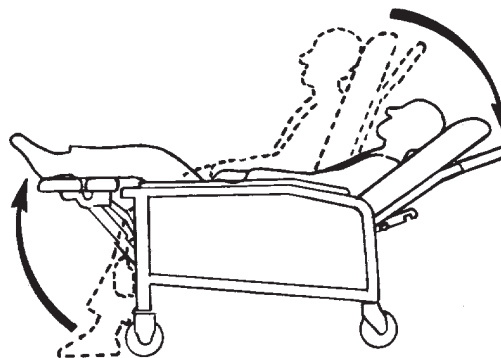


FIGURE 2- RECLINING THE CHAIR WITHOUT USING THE POSITION LOCK LEVER - MODELS 6905A AND 6907A

5. An attendant can easily recline the chair from a standing position (beside the chair) by simply grasping the armrest with one hand; the padded push handle with the other and then pushing down on the push handle.

RECLINING THE CHAIR - MODEL 6908A (FIGURE 3)

NOTE: The position lock lever is not available on model 6908A.

The Model No. 6908A - Clinical Recliner has two (2) standard recline positions as shown in FIGURE 3.

1. While seated in the recliner, grip the armrests and simultaneously lean body weight back and push forward with your arms until recline position 1 or 2 is reached.

NOTE: The footrest assembly will elevate automatically as the chair is reclined.

NOTE: The occupant should not be required to exert excessive force to change recline positions. If the recliner exhibits difficulty in reclining, an attendant should be called for assistance.

2. To achieve (dialysis) position, place the chair in recline position 1. Grasp push handle and recline lever and slowly recline back to position shown in FIGURE 3 and release recline lever.
3. For shock (Trendelenberg) position, place chair in recline position 2. Grasp push handle and recline lever and slowly recline back to fully reclined position and release recline lever.

NOTE: If the gas spring does not unlock when the lever is actuated, or remains permanently unlocked when the lever is NOT actuated, cable tension must be adjusted. Refer to ADJUSTING GAS SPRING RECLINE CYLINDER ASSEMBLY - MODEL 6908A ONLY in the GENERAL MAINTENANCE SECTION of the manual.

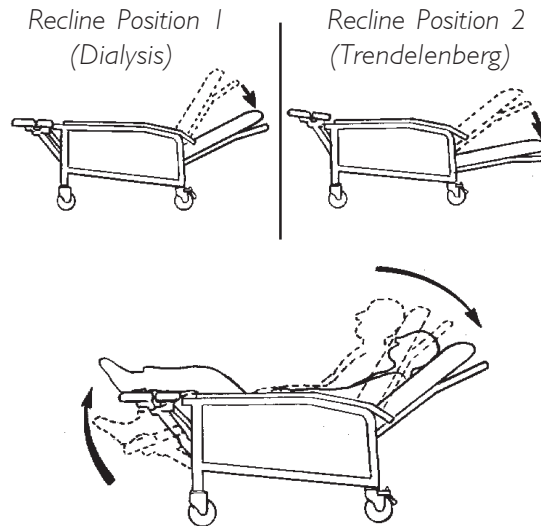


FIGURE 3 - RECLINING THE CHAIR - MODEL 6908A

POSITIONING THE ARTICULATING HEADREST (ALL MODELS) (FIGURE 4)

1. To position the articulating headrest, simply grasp the headrest and push or pull it into the desired position.

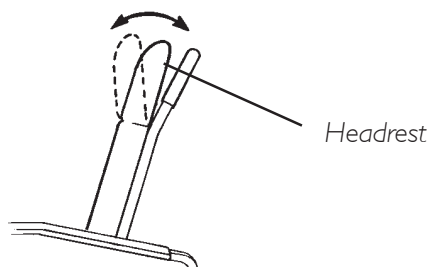
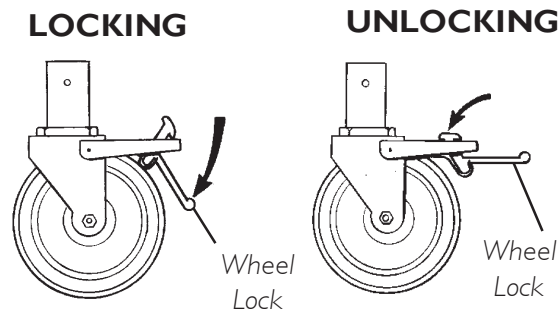


FIGURE 4- POSITIONING THE ARTICULATING HEADREST (ALL MODELS)

LOCKING/UNLOCKING THE REAR WHEELS (FIGURE 5)

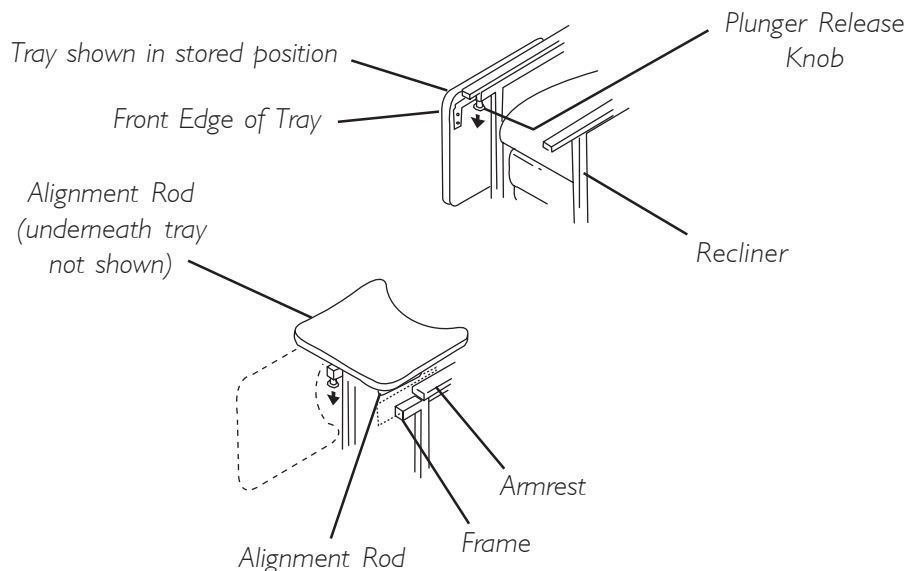
1. Push down on the wheel lock mechanism to engage the wheel locks.
2. Release the wheel locks by pushing the other side of the lock mechanism downward.

**FIGURE 5 - LOCKING/UNLOCKING THE REAR WHEELS****INSTALLING TRAY INTO POSITION****TRAY FOR MODEL 6905A (FIGURE 6)****WARNING**

The tray has a weight limitation of 40 lbs. (18.2 kg).

NOTE: Right and left sides are determined by the user's seated position.

1. With your right hand, pull down on the plunger release knob below the right armrest of the recliner.
2. With your left hand, grasp the front edge of the tray and pull the tray away from the recliner until alignment rod is out of the frame.
3. Rotate the tray 90°.
4. Insert both alignment rods into the frame underneath the armrests.
5. Push the alignment rods completely into the frame until they lock into place.

**FIGURE 6 - INSTALLING THE TRAY INTO POSITION - MODEL 6905A**

TRAY FOR MODEL 6907A (FIGURE 7)**WARNING**

The tray has a weight limitation of 40 lbs. (18.2 kg).

NOTE: Right and left sides are determined by the user's seated position.

1. Pull down on the plunger release knob under the right armrest of the recliner.
2. Slide tray away from the chair until upper alignment rod is out of the frame.
3. Lift up on the tray and rotate the tray up and over to the opposite arm of the recliner.
4. Insert the alignment rod into the left side frame underneath the armrest.
5. Push the alignment rod completely into the frame until it locks in place.

Tray shown in stored position

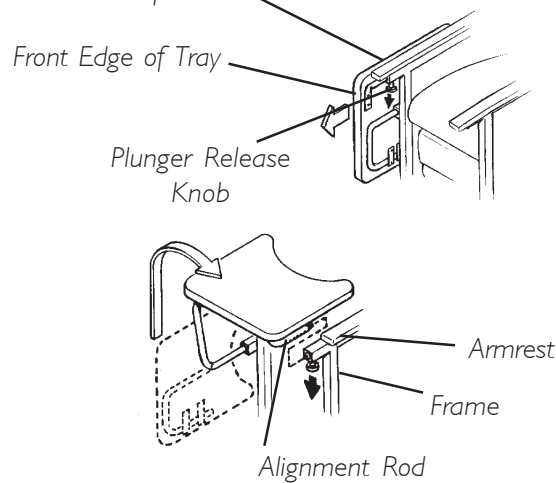


FIGURE 7 - INSTALLING THE TRAY INTO POSITION - MODEL 6907A

TRAY FOR MODEL 6908A (FIGURE 8)**WARNING**

The tray has a weight limitation of 40 lbs. (18.2 kg).

1. From a seated position, grasp tray with your hand and pull it upward until the tray is in a horizontal position.
2. Check to make sure that tray is locked in place.

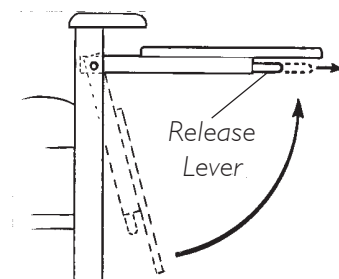


FIGURE 8 - INSTALLING THE TRAY INTO POSITION - MODEL 6908

STORING/REMOVING THE TRAY**MODEL 6905A (FIGURE 9)****WARNING**

The tray has a weight limitation of 40 lbs. (18.2 kg).

NOTE: Right and left sides are determined by the user's seated position.

NOTE: To remove the tray perform STEPS 1-3 below. To store the tray perform STEPS 1-6 below.

1. Stand in front of the recliner. Grasp the front edge of the tray with your hand.
2. With your other hand, pull down on the plunger release knob located below the right armrest.
3. Slide the tray away from the recliner until both alignment rods are out of the frame.
4. Rotate the tray 90°.
5. Insert the alignment rod into the right side of the frame underneath the armrest.

WARNING

DO NOT hold the top edge of the tray while sliding the tray into the stored position - otherwise injury may result. Pinch points exist between the top edge of the tray and armrest.

6. While holding the front edge of the tray, push the alignment rod completely into the frame until it locks into place.

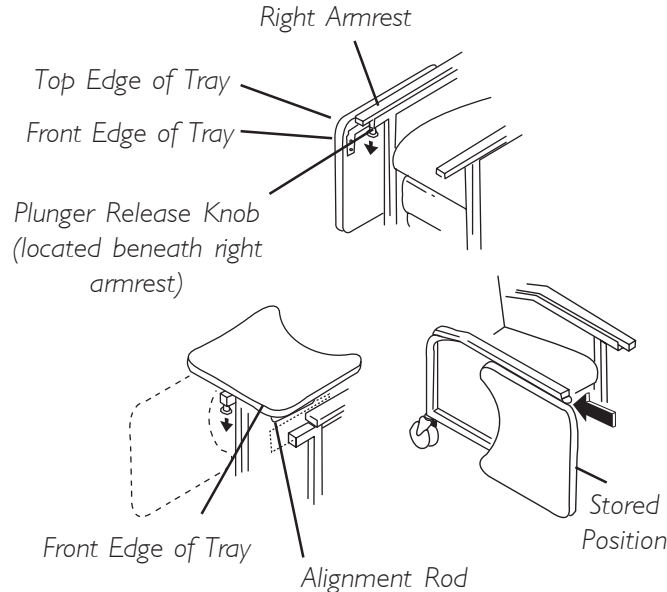


FIGURE 9 - STORING/REMOVING THE TRAY - MODEL 6905A

MODEL 6907A (FIGURE 10)**WARNING**

The tray has a weight limitation of 40 lbs. (18.2 kg).

NOTE: Right and left sides are determined by the user's seated position.

1. Stand in front of the chair. Grasp the front edge of the tray with your hand.
2. With your other hand, pull down on the plunger release knob located below the left armrest.
3. Perform one (1) of the following:
 - A. **STORING THE TRAY-**
 1. Slide the tray away from the recliner until left alignment rod is out of the frame.
 2. Lift up on the tray and rotate the tray up and over to the opposite arm of the recliner. The tray is now at 90°.
 3. Insert the alignment rod into the right side of the frame underneath the right armrest.

WARNING

DO NOT hold the top edge of the tray while sliding the tray into the stored position - otherwise injury may result. Pinch point exists between the top edge of the tray and armrest.

4. While holding the front edge of the tray, push the alignment rod completely into the frame until it locks into place.
- B. **REMOVING THE TRAY** - Slide the tray away from the recliner until both alignment rods are out of the frame.

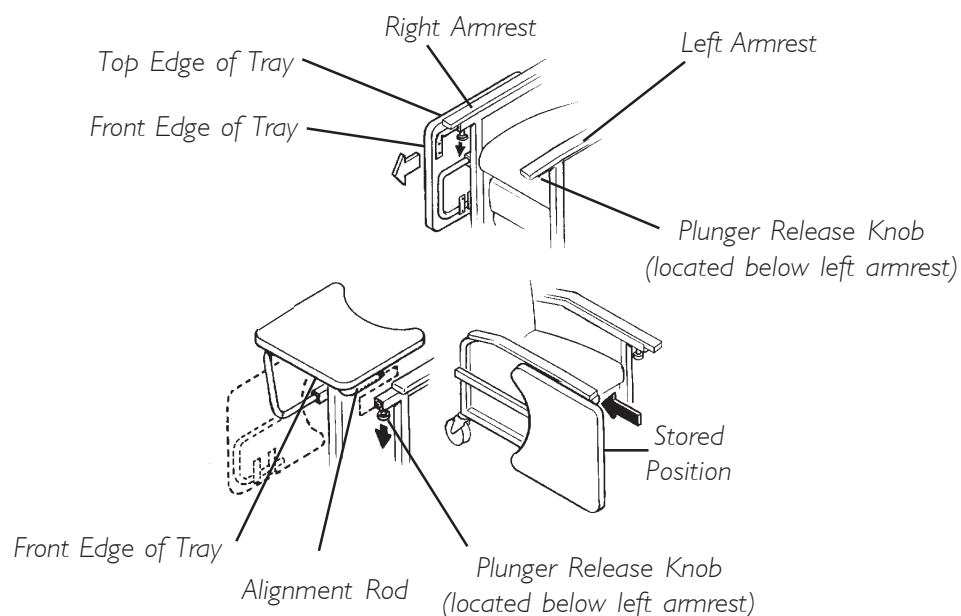
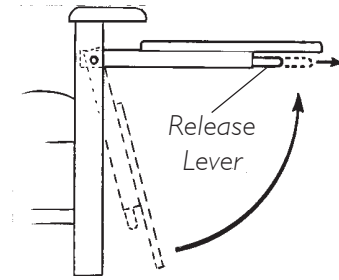


FIGURE 10 - STORING/REMOVING THE TRAY -MODEL 6907A

MODEL 6908A (FIGURE 11)**WARNING**

The tray has a weight limitation of 40 lbs. (18.2 kg).

1. To lower tray, grasp the release lever located under the tray and pull the release lever out while slightly lifting up on the tray and then lower.

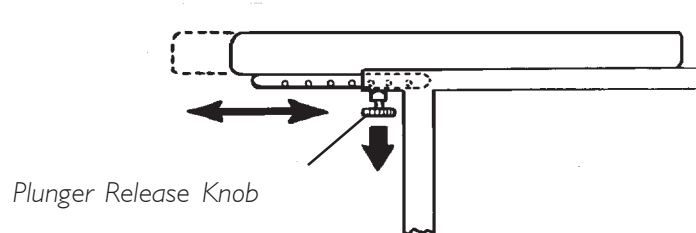


**FIGURE 11 - STORING THE TRAY
- MODEL 6908**

ADJUSTING THE TRAY POSITION**MODELS 6905A AND 6907A (FIGURE 12)**

There are seven (7) tray positions on the Invacare Mobile Recliner. They range from 9-inches to 15-inches in 1-1/2-inch increments.

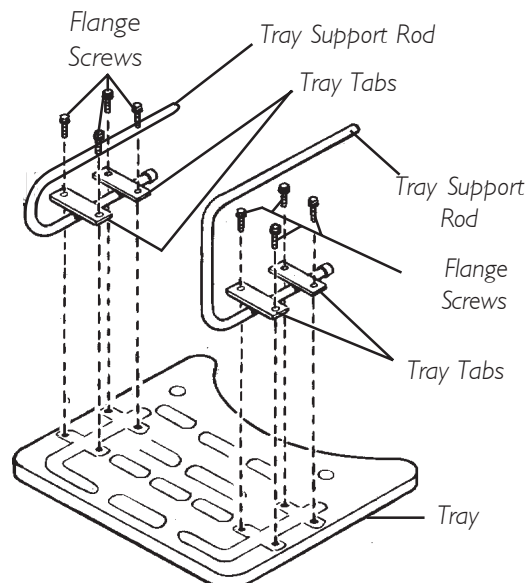
1. Pull down on the plunger release knob below the right arm rest of the chair (seated) and push/pull the tray to the desired position.
2. Ensure tray locks in place.



**FIGURE 12 - ADJUSTING THE TRAY POSITION - MODELS 6905A AND
6907A**

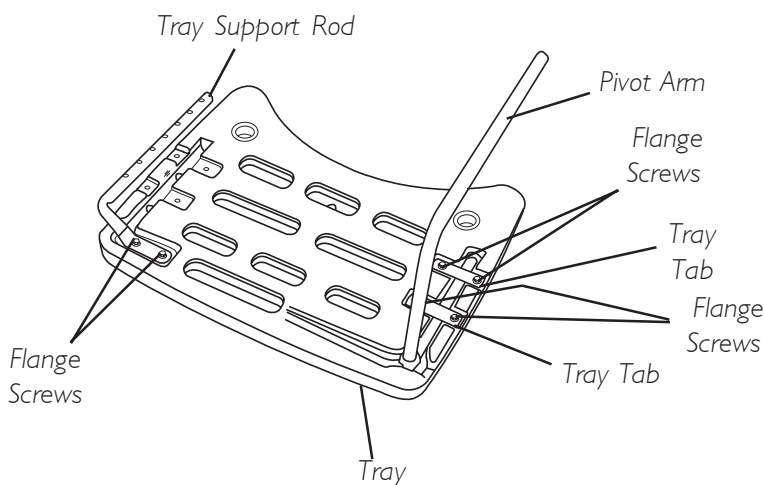
This Procedure Includes the Following:***Replacing Trays******Removing/Installing The Back Cushion******Removing/Installing Side Panel******Replacing Footrest Guard******Replacing the Scissor Mechanism Guard******Replacing Footrest Cushion******Replacing the Foam Pad on The Push Handle******Replacing The Elbow Pads - Model 6908A Only******Replacing Casters******Adjusting Gas Spring Recline Cylinder Assembly - Model 6908A Only******Replacing the Release Handle and Cable Assembly - Model 6908A Only******Cleaning the Upholstery*****REPLACING TRAYS****MODEL 6905A (FIGURE I)**

1. Remove tray from recliner. Refer to STORING/REMOVING THE TRAY in the OPERATING INSTRUCTIONS of this manual.
2. Position tray assembly on the floor as shown in FIGURE I.
3. Remove the four (4) flange screws and two (2) tray tabs that secure the support rod to the tray.
4. Remove the four (4) flange screws and two (2) tray tabs that secure the remaining tray support rod to the tray.
5. Remove existing tray.
6. Secure the support rod and two (2) tray tabs to the tray with four (4) flange screws. Securely tighten flange screws. Repeat for remaining support rod.
7. Insert tray support rods into recliner frame underneath armrests.

**FIGURE I - REPLACING TRAYS - MODEL 6905A**

REPLACING TRAYS (CONTINUED)**MODEL 6907A (FIGURE 2)**

1. Remove tray from recliner. Refer to STORING/REMOVING THE TRAY in the OPERATING INSTRUCTIONS of this manual.
2. Position tray assembly on the floor as shown in FIGURE 2.



3. Remove the four (4) flange screws and two (2) tray tabs that secure the pivot arm to the tray.
4. Remove the two (2) flange screws that secure the tray support rod to the tray.
5. Remove existing tray.
6. Loosely reinstall the tray support rod, using the two (2) flange screws.

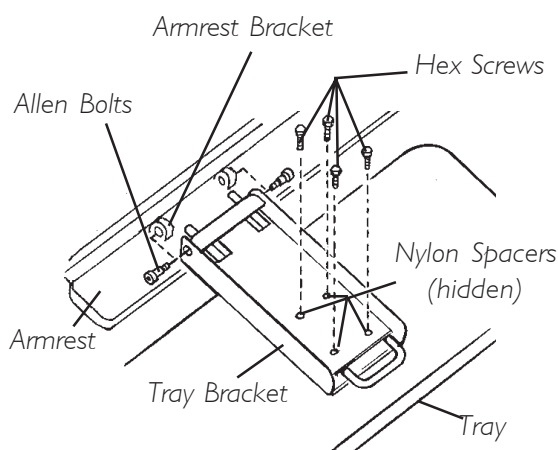
FIGURE 2 - REPLACING TRAYS - MODEL 6907A

This will allow for proper fit and adjustment of tray after installation.

7. Secure the pivot arm to the tray with the two (2) tray tabs and four (4) flange screws. Securely tighten.
8. Reinstall tray support into frame.
9. Tighten the two (2) flange screws that secure the tray support rod to the tray.

MODEL 6908A (FIGURE 3)

1. Position the recliner on the side opposite of the tray.
2. Remove the two (2) allen bolts that secure the tray bracket to the armrest assembly.
3. Position the tray face down to expose the screws that secure the EXISTING tray to the tray bracket.
4. Remove the four (4) hex screws.
5. Place the NEW tray face down.
6. Position the EXISTING tray bracket over the NEW tray.
7. Align the holes and nylon spacers in the bracket with the holes in the tray.
8. Reinstall the four (4) hex screws and tighten securely. DO NOT overtighten.
9. Align the tray bracket with the armrest.
10. Reinstall the two (2) allen bolts. Securely tighten.

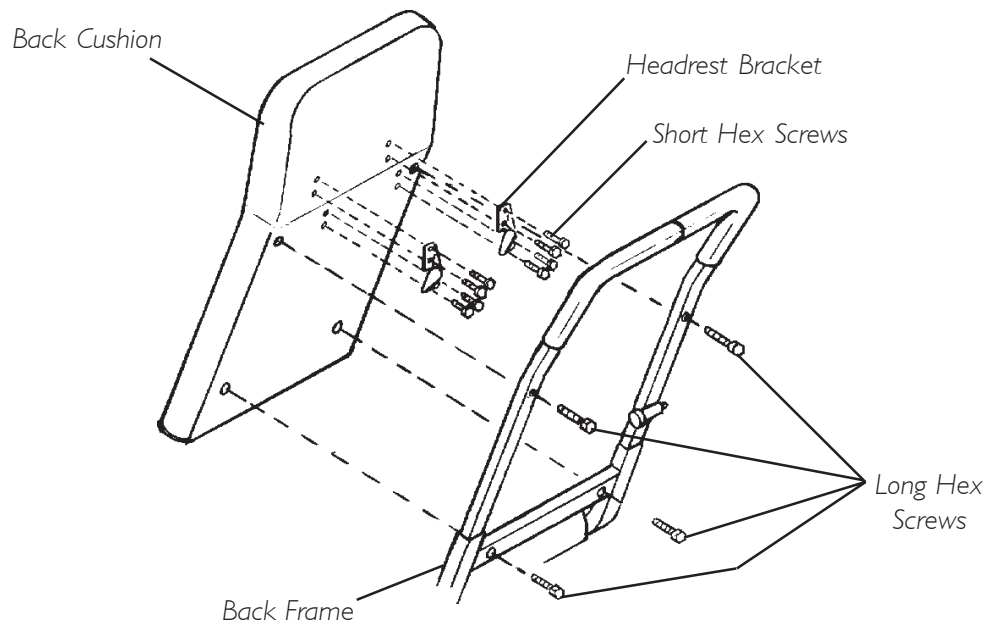
**FIGURE 3 - REPLACING TRAYS - MODEL 6908A**

REMOVING/INSTALLING THE BACK CUSHION**MODEL 6905A AND 6907A (FIGURE 4)****Removing.**

1. Remove the four (4) long hex screws that secure the back cushion to the back frame.
2. Remove the four (4) short hex screws that secure headrest bracket to the back cushion.
Repeat for remaining headrest bracket.

Installing.

1. Align back cushion with the back frame.
2. Install four (4) long hex screws to secure the back cushion to the back frame. Securely tighten.
3. Secure the headrest bracket to the back cushion with four (4) short hex screws.
Securely tighten. Repeat for remaining headrest bracket.



**FIGURE 4 - REMOVING /INSTALLING THE BACK CUSHION
MODELS 6905A AND 6907A**

MODEL 6908A (FIGURE 5)

Removing.

1. Remove the mounting screw that secures the recline cable to the existing back cushion.
2. Remove the four (4) long hex head screws that secure the back cushion to the back frame.
3. Remove the four (4) short hex head screws from each of the two (2) headrest brackets.

NOTE: Reinstall the pan head phillips screw on the new back cushion assembly in approximately the same location as on the old back assembly.

Installing.

1. Align NEW back cushion with seat and frame.
2. Install four (4) long hex screws to secure the back cushion to the back frame as shown in FIGURE 5. Securely tighten.
3. Secure the headrest bracket to the back cushion with four (4) short hex screws. Securely tighten.

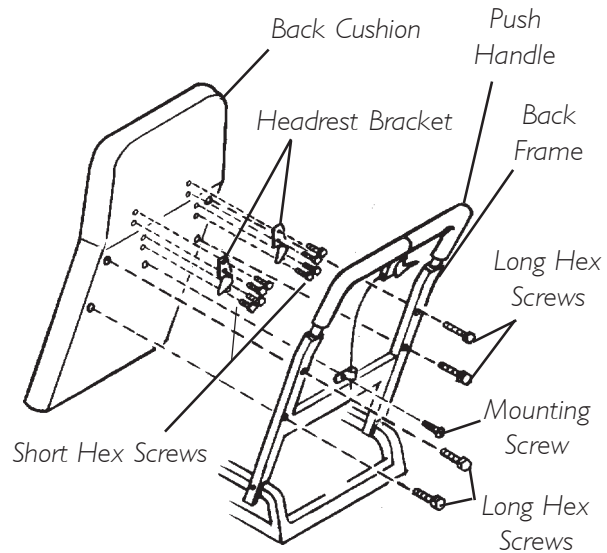


FIGURE 5 - REMOVING/INSTALLING THE BACK CUSHION - MODEL 6908A

REMOVING/INSTALLING SIDE PANEL

MODEL 6905A (FIGURE 6)

NOTE: On model 6905A chairs if the side panel is secured with plastic rivets, replacement panel kit number 1109705 is required to install. Contact an Invacare Dealer/Provider for more information and ordering.

Removing Side Panel.

NOTE: Right and left sides are determined from the user's seated position.

1. Remove the eleven (11) bolts securing the side panel to the recliner frame.

Installing Side Panel.

1. Secure the side panel to the recliner frame with the eleven (11) bolts.

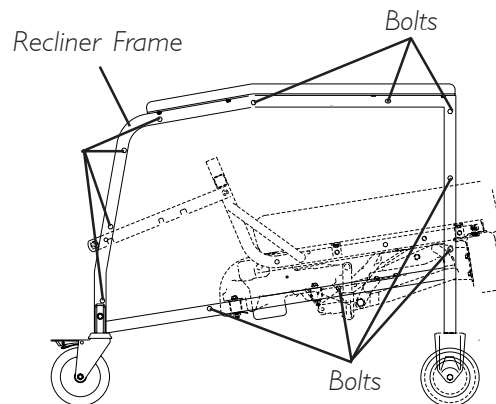


FIGURE 6 - REMOVING/INSTALLING SIDE PANEL - MODEL 6905A

MODEL 6907A AND 6908A (FIGURE 7)**Removing Side Panel.**

1. Remove four (4) bolts securing the side panel to the recliner frame.

Installing Side Panel.

1. Secure the side panel to the recliner frame with the four (4) bolts.

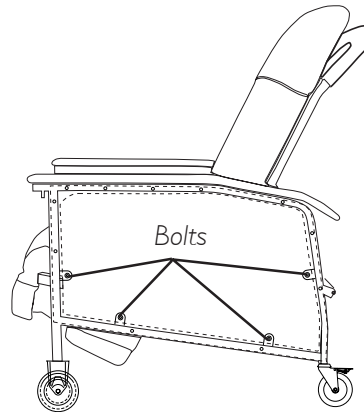


FIGURE 7 - REMOVING/INSTALLING SIDE PANEL - MODEL 6907A AND 6908A

REPLACING FOOTREST GUARD (FIGURE 8)

NOTE: Right and left sides are determined from the user's seated position.

1. Engage wheel locks.
2. Extend the footrest of the recliner.
3. Carefully tip the recliner onto the right side. Be sure there are no obstructions on or around the floor before doing this.
4. Remove mounting bolt from support tube and cut tie wrap.
5. Remove existing footrest guard from recliner.
6. Install NEW footrest guard around the footrest frame as shown in DETAIL "A" of FIGURE 8.

NOTE: Footrest guard needs to be folded in two (2) locations so it will wrap entirely around the upper frame. Refer to the scored lines on the guard to determine where the folds should be.

7. Once folded, align the two (2) mounting holes of the footrest guard with the mounting hole in the upper footrest frame as shown in DETAIL "B" in FIGURE 8.
8. Using the mounting bolt, secure the footrest guard and upper frame to the support tube.

CAUTION

DO NOT overtighten tie wrap during installation, otherwise the guard may buckle or deform.

WARNING

Tie wrap should be installed with the excess located on the interior side of the footrest assembly. Failure to do so may result in serious injury.

9. With a tie wrap, secure the footrest guard to the upper side frame as shown in DETAIL "B" in FIGURE 8.

NOTE: If necessary, trim excess tie wrap to prevent binding and pinching.

10. Place recliner in the upright position. Close the footrest. If binding or pinching of footrest guard occurs, call Invacare at the number listed on the back cover.
11. Carefully tip recliner onto the left side. Be sure there are no obstructions on or around the floor before doing this.
12. Repeat STEPS 4-10 to install remaining footrest guard.

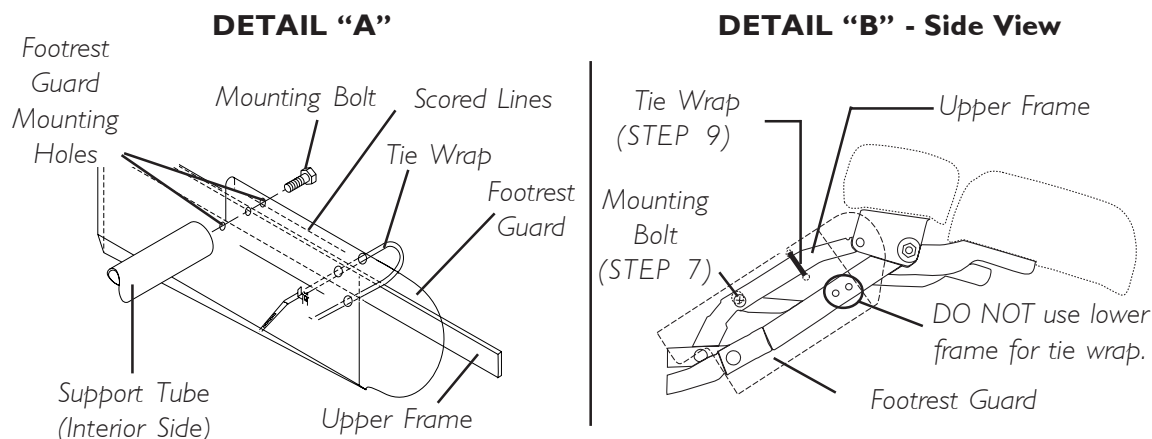


FIGURE 8 - REPLACING FOOTREST GUARD

REPLACING THE SCISSOR MECHANISM GUARD (FIGURE 9)

NOTE: On model 6905A recliner manufactured before 04/01/02, the side panel was secured with plastic rivets. A replacement panel kit number 1109705 is required to install. Contact Invacare Dealer/ Provider for more information and ordering.

NOTE: Right and left sides are determined from the user's seated position.

1. Engage wheel locks.
2. Carefully tip recliner onto the right side. Be sure there are no obstructions on or around the floor before doing this.
3. Remove the side panel. Refer to REMOVING/INSTALLING SIDE PANEL in this section of the manual.
4. Remove four (4) existing bolts A, B, C, and D from side frame as shown in FIGURE 9.
5. Remove EXISTING scissor mechanism guard.
6. Position NEW scissor mechanism guard against the side frame with the folded edge down.
7. Align holes of NEW scissor mechanism guard with holes on side frame.
8. Secure NEW scissor mechanism guard to side frame with bolts A, B, C, and D. Securely tighten.
9. Install the side panel. Refer to REMOVING/INSTALLING SIDE PANEL in this section of the manual.
10. Place chair in the upright position.

NOTE: If binding or pinching of footrest guard occurs, call Invacare at the number on the back page.

11. Carefully tip recliner onto the left side. Ensure there are no obstructions on or around the floor before doing this.
12. Repeat STEPS 3-10 to install remaining guard.

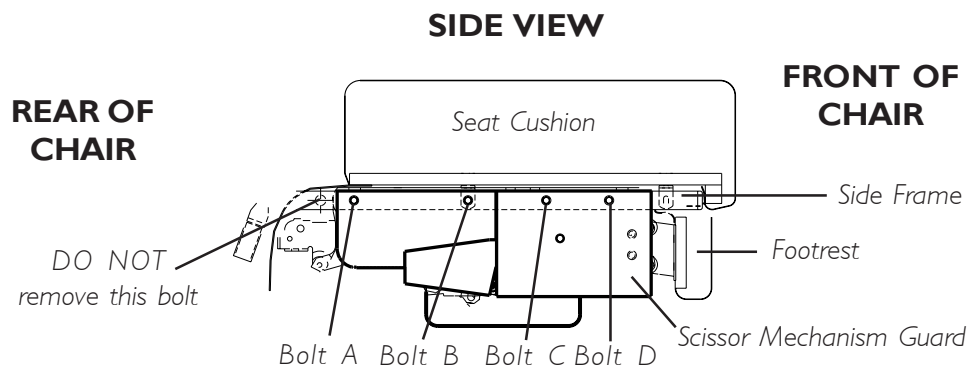


FIGURE 9 - REPLACING THE SCISSOR MECHANISM GUARD

REPLACING FOOTREST CUSHION (FIGURE 10)**WARNING**

DO NOT stand on the footrest or seat when entering or exiting the recliner. The recliner WILL tip and bodily injury may occur.

1. Recline the recliner to raise the footrest assembly.
2. Remove the four (4) hex screws that secure the existing footrest cushion to the reclining mechanism.
3. Align the four (4) mounting holes of the footrest assembly with the four (4) mounting holes of the NEW footrest cushion.
4. Using four (4) hex screws, secure the footrest cushion to the footrest assembly.

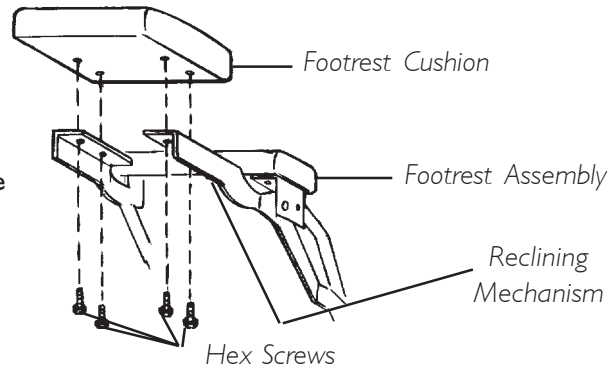


FIGURE 10 - REPLACING THE FOOTREST CUSHION

REPLACING THE FOAM PAD ON THE PUSH HANDLE**MODELS 6905A AND 6907A (FIGURE 11)**

1. Remove the two (2) hex screws that secure the push handle to the back frame.
2. Cut the existing foam pads and remove.
3. Clean the push handle and apply a small amount of dish soap on the push handle.
4. Work the new foam pad onto the push handle until it is completely in place.
5. Secure the push handle to the back frame using the existing hardware.

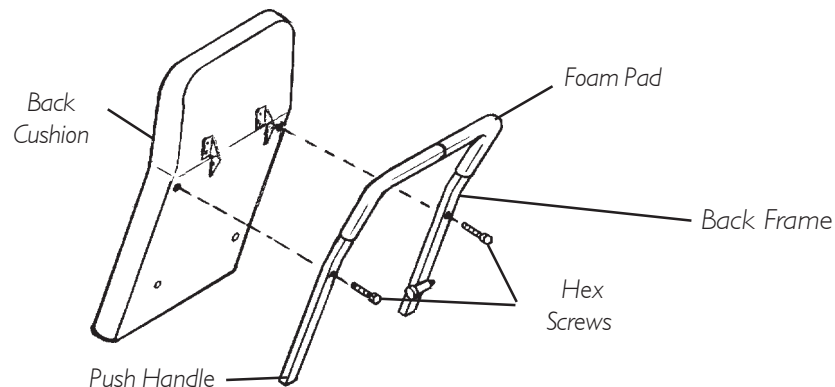


FIGURE 11 - REPLACING THE FOAM PAD ON THE PUSH HANDLE - MODELS 6905A AND 6907A

MODEL 6908A (FIGURE 12)

1. Remove the top two (2) hex screws that secure the push handle to the seat frame.
2. Remove the push handle and cut either of the two (2) EXISTING foam pads that are damaged or worn, and remove.
3. Clean the push handle and apply a small amount of dish soap on the push handle.
4. Note the cut outs on the NEW foam pads. They must seat on the underside of the push handle and fit around the recline lever.
5. Work the NEW foam pad onto the push handle until it is completely in place.
6. Using the two (2) existing hex head screws secure the push handle to the back frame and securely tighten.

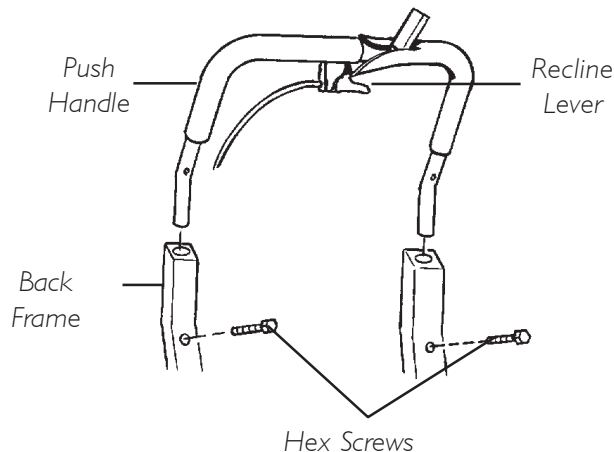


FIGURE 12 - REPLACING THE FOAM PAD ON THE PUSH HANDLE - MODEL 6908A

REPLACING THE ELBOW PADS - MODEL 6908A ONLY (FIGURE 13)

1. Remove two (2) hex head screws that secure the EXISTING elbow pad to the elbow pad bracket.
2. Remove EXISTING elbow pad and discard.
3. Using the existing hex head screws, secure the NEW elbow pad to the elbow pad bracket.

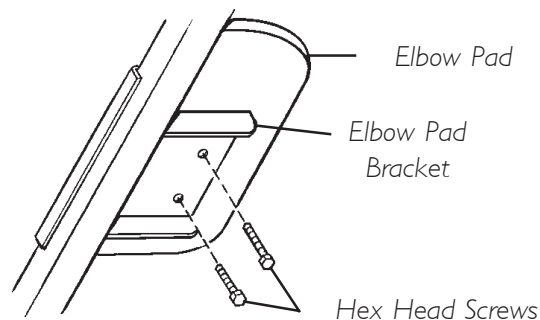


FIGURE 13 - REPLACING THE ELBOW PADS - MODEL 6908A ONLY

REPLACING CASTERS (FIGURE 14)

REPLACING CASTER ASSEMBLY (DETAIL "A")

1. Place the recliner on its side to gain access to the existing caster assemblies.
2. Remove the hex screw and locknut that secures the caster assembly to the recliner frame.
3. Align hole in caster insert with hole in recliner frame and install NEW caster assembly.
4. Reinsert and tighten the hex head screw and nut.
5. Return the recliner to its upright position.

NOTE: Periodic inspection of the hex head screws and nuts is recommended to ensure that they are tight. Time and usage may allow them to become loose and could cause breakage of the caster assemblies.

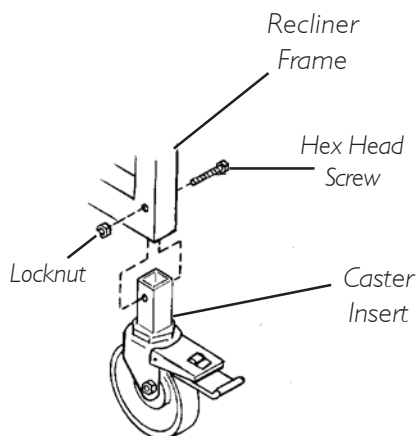
REPLACING CASTER WHEELS (DETAIL "B")

NOTE: When replacing the rear locking caster wheel, note the orientation of the locking actuator and axle bolt for proper reinstallation.

1. Remove axle bolt and locknut that secure the EXISTING caster wheel to the fork.
2. Remove existing caster wheel from fork.
3. Install the NEW caster wheel into the fork.
4. Install the axle bolt and locknut and tighten securely.

NOTE: The REAR casters are locking/swivel casters and the FRONT casters are free wheeling and non-pivotal. Always replace them accordingly.

DETAIL "A"- CASTER ASSEMBLY



DETAIL "B"- CASTER WHEELS

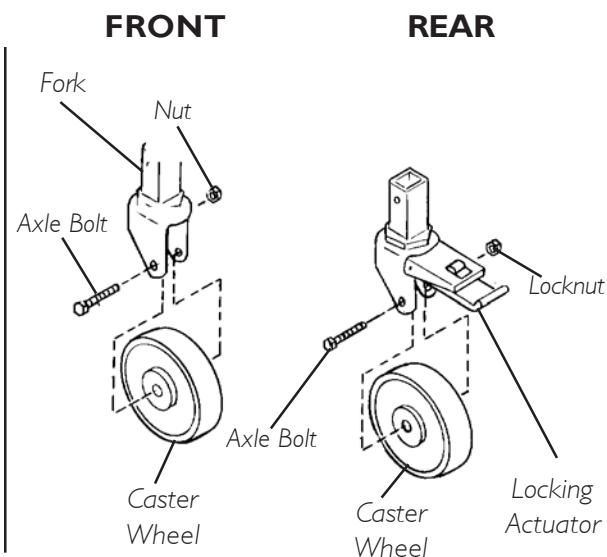


FIGURE 14 - REPLACING CASTERS

ADJUSTING GAS SPRING RECLINE CYLINDER ASSEMBLY - MODEL 6908A ONLY (FIGURE 15)

1. Remove the mounting screw which secures the cable to the back assembly.
2. Remove the hitch pin from the clevis pin.
3. Remove mounting bolt and locknut securing the gas spring recline cylinder to the back frame.
4. Recline the back until cylinder can be removed from mounting bracket easily (approximately a 45° angle).
5. Remove gas spring recline cylinder.
6. Loosen the locknut on the bottom of gas spring cylinder (DETAIL "A").
7. Hold the bottom bracket and turn the cylinder until cable becomes taut.

NOTE: If the cylinder was not locking when the lever was actuated, turn cylinder clockwise. If the cylinder was not locking when the lever was released, turn cylinder counterclockwise.

8. Turn cylinder 1/2-turn in the opposite direction of STEP 7.
9. Reassemble by reversing STEPS 1-6.

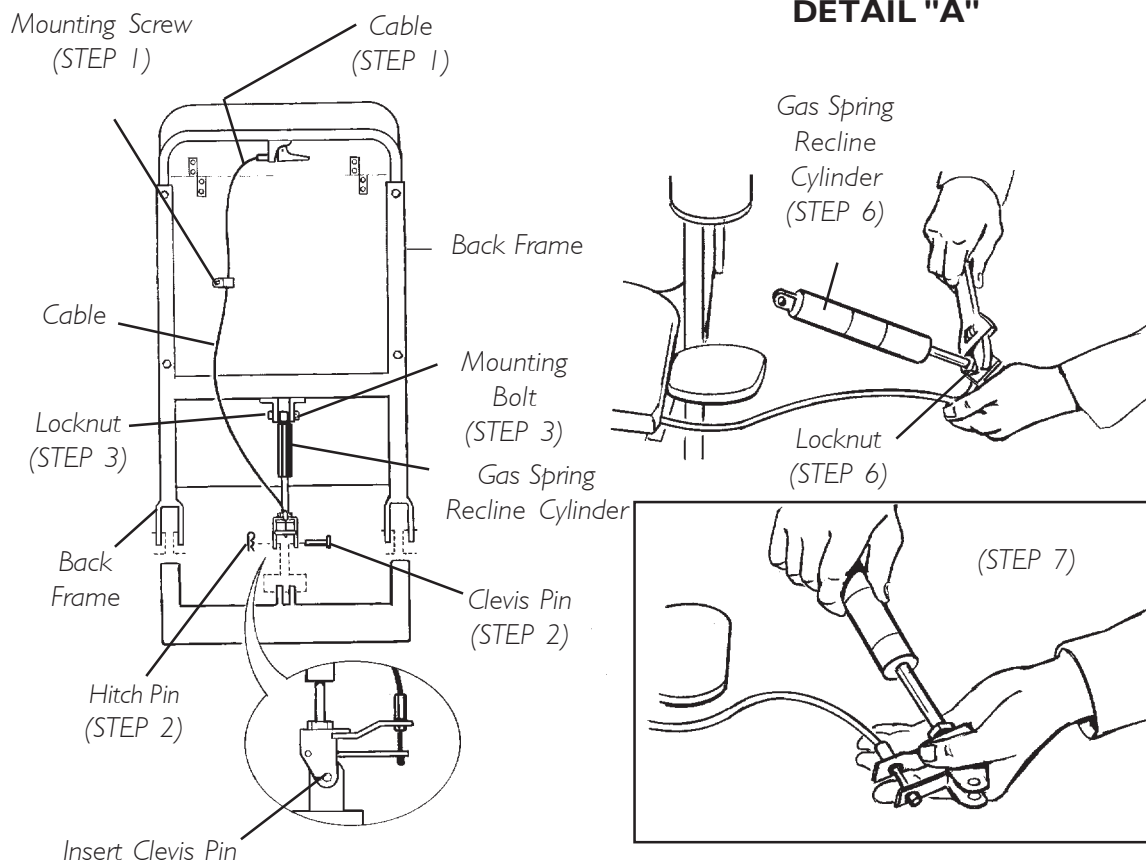


FIGURE 15 - ADJUSTING GAS SPRING RECLINE CYLINDER ASSEMBLY 6908A

REPLACING THE RELEASE HANDLE AND CABLE ASSEMBLY (FIGURES 15 AND 16)

1. With one hand, squeeze release lever up toward mounting bracket and remove anchor end of cable assembly from slot in release lever (DETAIL "B" in FIGURE 16).

CAUTION

When removing the cable from the mounting bracket, use care to pull straight out of "V" notch. Do not remove by bending the cable. Damage to the cable may occur.

2. Remove cable assembly from "V" notch of the mounting bracket (DETAIL "B" in FIGURE 16).
3. Remove the mounting screw that secures the cable to the back frame (FIGURE 15).
4. Remove the mounting screw which secures the release handle to the push handle (DETAIL "A" in FIGURE 16).
5. Secure NEW release handle to the push handle with the existing mounting screw. Securely tighten (DETAIL "A" in FIGURE 16).
6. Insert new cable assembly into "V" notch of the mounting bracket (DETAIL "B" in FIGURE 16).
7. Squeeze release lever up toward the mounting bracket and insert anchor end of NEW cable assembly into slot of release lever (DETAIL "B" in FIGURE 16).
8. Secure the cable assembly to the back frame with mounting screw (FIGURE 15). Securely tighten.

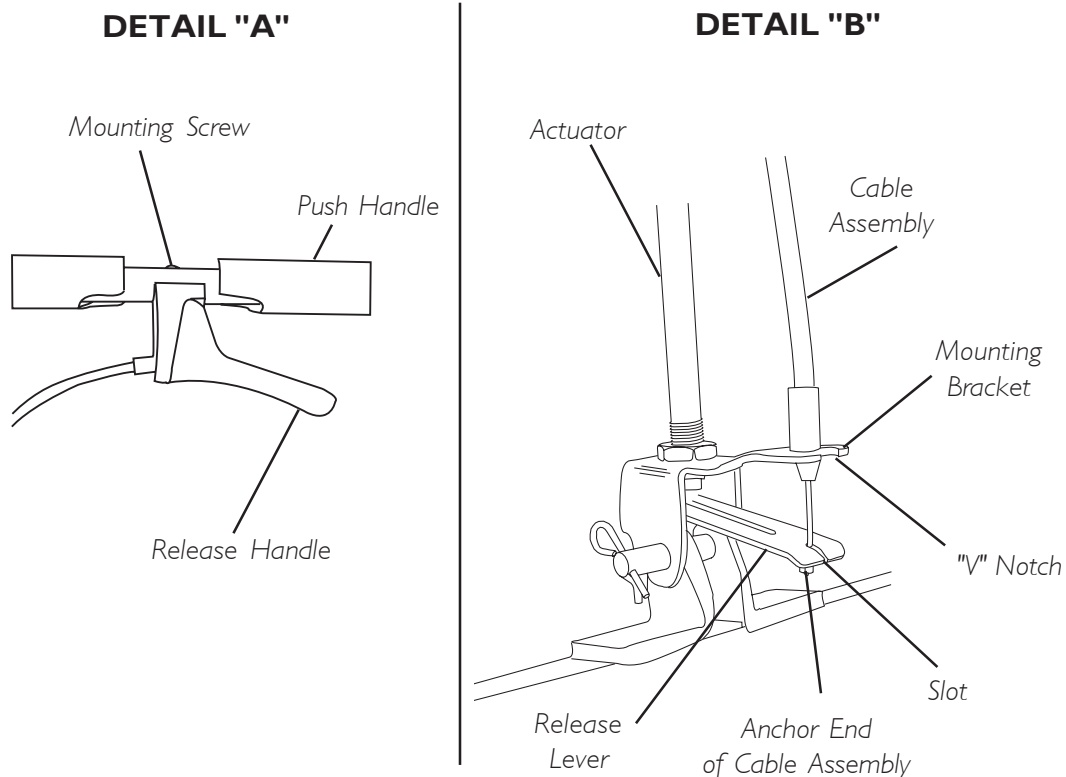


FIGURE 16 - REPLACING THE RELEASE HANDLE AND CABLE ASSEMBLY

CLEANING THE UPHOLSTERY

NOTE: A variety of solvents may be used to clean the upholstery on the recliner dependant upon the severity of the stain. The following list should be helpful:

Ordinary dirt stains: Clean upholstery with warm water and mild detergent to remove superficial soil.

Ground-in dirt stains: Use soft bristle brush and powdered cleanser or similar detergent.

Tar, asphalt or creosote: These will stain and should be removed as soon as possible. Area can be cleaned with kerosene or naphtha.

Chewing gum: Scrape off carefully. Remove remainder with kerosene or naphtha.

Paint or shoe polish: Remove immediately. Use a white cloth dampened with kerosene, naphtha or turpentine.

CAUTION

When kerosene or naphtha is being used, care should be exercised. Keep away from fire and flame and use only in a well ventilated area.

Carefully follow cleaning instructions provided with cleaning product.

DO NOT use paint remover or any liquid brush cleaner.

Excrement: Remove immediately. Clean with 1:10 mix of bleach and water.

NOTE: The wearability of your chair can be improved by using a quality paste wax periodically.

LIMITED WARRANTY

PLEASE NOTE: THE WARRANTY BELOW HAS BEEN DRAFTED TO COMPLY WITH FEDERAL LAW APPLICABLE TO PRODUCTS MANUFACTURED AFTER JULY 4, 1975.

This warranty is extended only to the original purchaser/user of our products.

This warranty gives you specific legal rights and you may also have other legal rights which vary from state to state.

Invacare warrants its product to be free from defects in materials and workmanship for a period of three (3) years; and one (1) year on the upholstery and Gas Spring Recline Cylinder from date of purchase. The front and rear side frames and crossbraces are warranted for the lifetime of the original purchaser/user. If within such warranty period any such product shall be proven to be defective, such product shall be repaired or replaced, at Invacare's option. This warranty does not include any labor or shipping charges incurred in replacement part installation or repair of any such product. Invacare's sole obligation and your exclusive remedy under this warranty shall be limited to such repair and/or replacement.

For warranty service, please contact the dealer from whom you purchased your Invacare product. In the event you, do not receive satisfactory warranty service, please write directly to Invacare at the address on the back cover, provide dealer's name, address, date of purchase, indicate nature of the defect and, if the product is serialized, indicate the serial number. Do not return products to our factory without our prior consent.

LIMITATIONS AND EXCLUSIONS: THE FOREGOING WARRANTY SHALL NOT APPLY TO SERIAL NUMBERED PRODUCTS IF THE SERIAL NUMBER HAS BEEN REMOVED OR DEFACED, PRODUCTS SUBJECTED TO NEGLIGENCE, ACCIDENT, IMPROPER OPERATION, MAINTENANCE OR STORAGE, COMMERCIAL OR INSTITUTIONAL USE, PRODUCTS MODIFIED WITHOUT INVACARE'S EXPRESS WRITTEN CONSENT (INCLUDING, BUT NOT LIMITED TO, MODIFICATION THROUGH THE USE UNAUTHORIZED PARTS OR ATTACHMENTS; PRODUCTS DAMAGED BY REASON OF REPAIRS MADE TO ANY COMPONENT WITHOUT THE SPECIFIC CONSENT OF INVACARE, OR TO A PRODUCT DAMAGED BY CIRCUMSTANCES BEYOND INVACARE'S CONTROL, AND SUCH EVALUATION WILL BE SOLELY DETERMINED BY INVACARE. THE WARRANTY SHALL NOT APPLY TO PROBLEMS ARISING FROM NORMAL WEAR OR FAILURE TO ADHERE TO THESE INSTRUCTIONS.

THE FOREGOING EXPRESS WARRANTY IS EXCLUSIVE AND IN LIEU OF ANY OTHER WARRANTIES WHATSOEVER, WHETHER EXPRESS OR IMPLIED, INCLUDING THE IMPLIED WARRANTIES OF MERCHANTABILITY AND FITNESS FOR A PARTICULAR PURPOSE, AND THE SOLE REMEDY FOR VIOLATIONS OF ANY WARRANTY WHATSOEVER, SHALL BE LIMITED TO REPAIR OR REPLACEMENT OF THE DEFECTIVE PRODUCT PURSUANT TO THE TERMS CONTAINED HEREIN. THE APPLICATION OF ANY IMPLIED WARRANTY WHATSOEVER SHALL NOT EXTEND BEYOND THE DURATION OF THE EXPRESS WARRANTY PROVIDED HEREIN. INVACARE SHALL NOT BE LIABLE FOR ANY CONSEQUENTIAL OR INCIDENTAL DAMAGES WHATSOEVER.

THIS WARRANTY SHALL BE EXTENDED TO COMPLY WITH STATE/PROVINCIAL LAWS AND REQUIREMENTS.

Invacare Corporation www.invacare.com



Yes, you can.®

USA
One Invacare Way
Elyria, Ohio USA
44036-2125
800-333-6900

Canada
570 Matheson Blvd E Unit 8
Mississauga, Ontario
L4Z 4G4 Canada
800-668-5324

Invacare is a registered trademark of Invacare Corporation.
Yes, you can. is a trademark of Invacare Corporation.
© 2002 Invacare Corporation
Part No. 54000M107 Rev D - 10/02