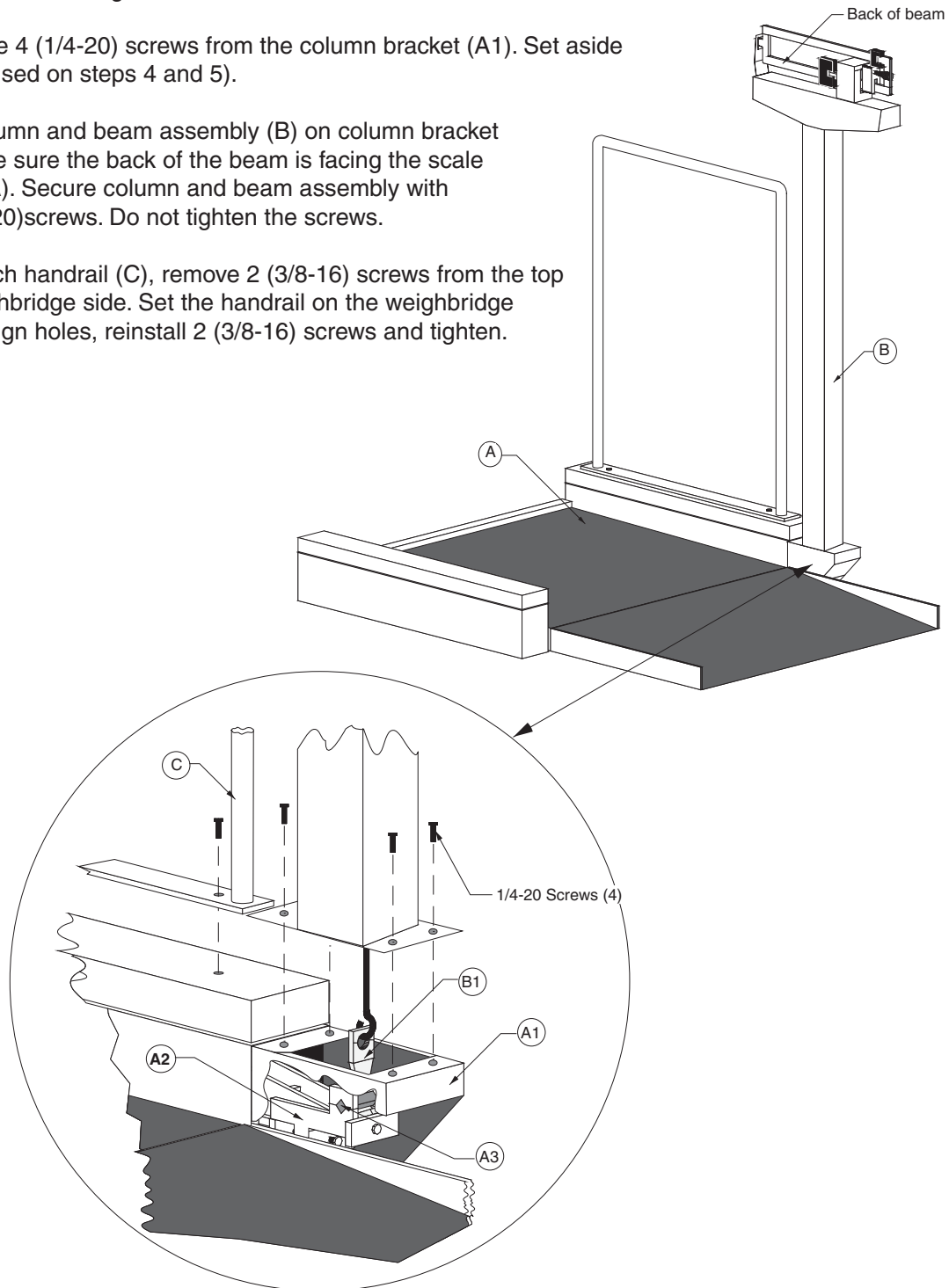
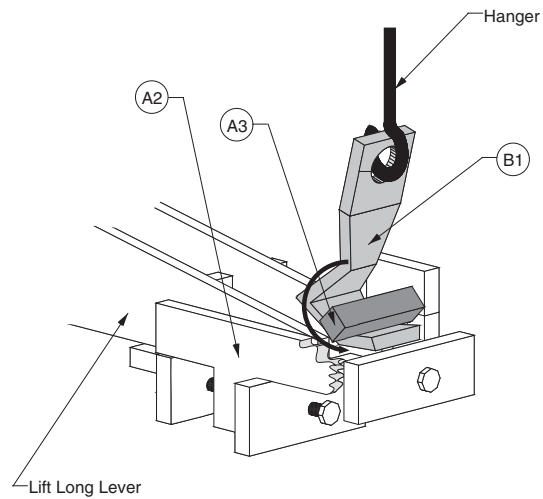


Set-Up Procedure for Low-Profile Wheelchair Scale Beam Type Model 495/4951

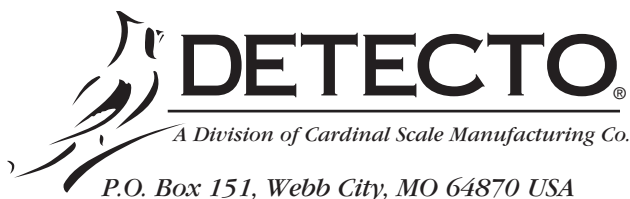
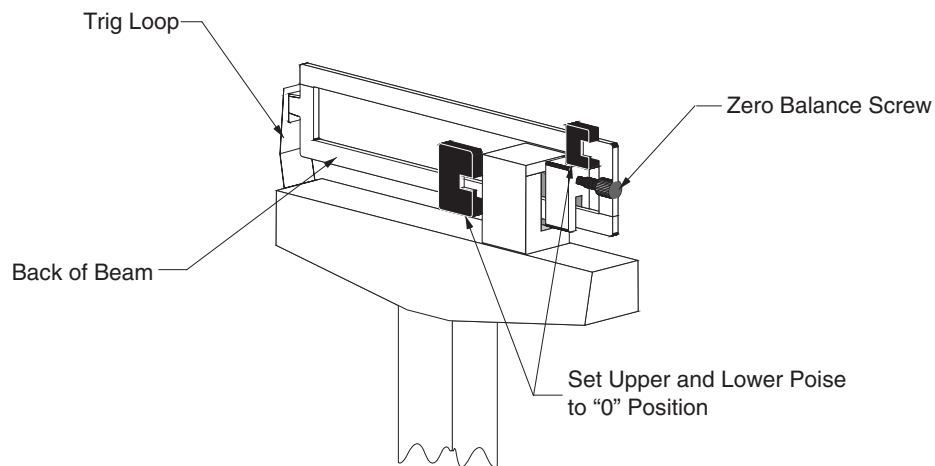
1. Remove all packing materials.
2. Set scale base on a flat, level surface. Slide ramp pins into T-slots on base; drop pins into the grooves.
3. Remove 4 (1/4-20) screws from the column bracket (A1). Set aside (to be used on steps 4 and 5).
4. Set column and beam assembly (B) on column bracket (A1). Be sure the back of the beam is facing the scale deck (A). Secure column and beam assembly with 4 (1/4-20) screws. Do not tighten the screws.
5. To attach handrail (C), remove 2 (3/8-16) screws from the top of weighbridge side. Set the handrail on the weighbridge side, align holes, reinstall 2 (3/8-16) screws and tighten.



6. If available, place the scale on a table or workbench, otherwise place the scale on floor. In either case, **DO NOT** tilt or place scale on it's side. Next, push bottom of the hanger (B1) back towards the scale weighbridge (A), lift long lever and the nose iron (A2) up, slide the hanger (B1) under the nose iron pivot (A3). After the hanger is attached, tighten the 4 (1/4-20) screws. The scale assembly is now complete.



7. Move upper and lower poise of the beam to "0" zero position.
8. Beam should balance so that the tip end of the beam is centered in a trig loop. If the beam is not centered, adjust the zero balance screw to the right or left until the beam is in a balanced position.
9. If the beam does not come to a balanced position, check all mechanical connections in the scale base assembly and the column and beam assembly. Repeat step 7. The scale should now be ready for operation.



P.O. Box 151, Webb City, MO 64870 USA
 Ph: 417-673-4631 or 1-800-641-2008 Fax: 417-673-5001
 e-mail: detecto@cardet.com
 Visit our Web site at www.detecto.com

0066-M188-01 Rev E
 09/05
 Printed in USA