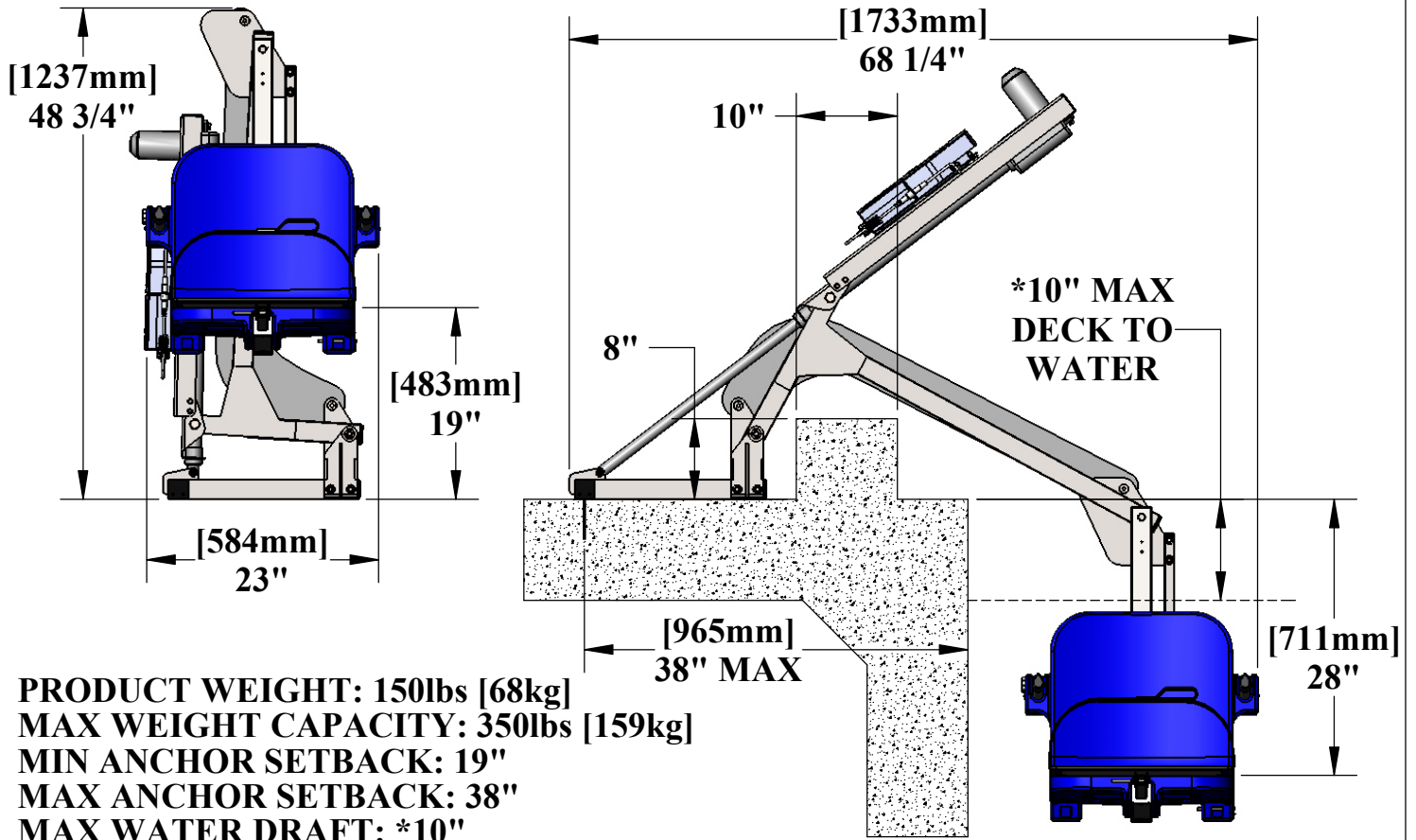


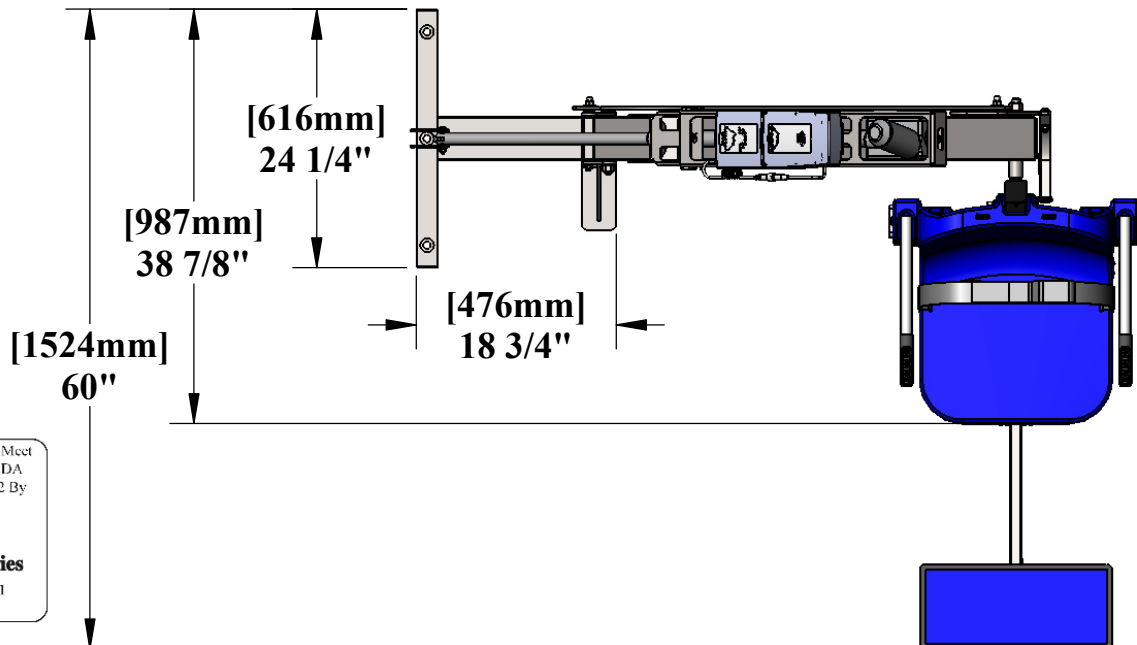
AMBASSADOR LIFT

US PATENT NO'S: [7,249,386 B2] [D507,769 S]

MEASUREMENT TAKEN WITH THE LIFT AT FULL LOAD



PRODUCT WEIGHT: 150lbs [68kg]
MAX WEIGHT CAPACITY: 350lbs [159kg]
MIN ANCHOR SETBACK: 19"
MAX ANCHOR SETBACK: 38"
MAX WATER DRAFT: *10"



Inspected And Verified To Meet
 Applicable Sections of ADA
 Guidelines Section 1009.2 By
wyle
 laboratories
 A Registered ISO 9001
 Laboratory



9889 GARRYMORE LANE
 MISSOULA, MT 59808
 (406) 549-0769
 FAX (406) 549-2602

NOTE:
 *SPECIFICATIONS ARE SUBJECT TO CHANGE WITHOUT NOTICE

PRODUCT:	AMBASSADOR		
PART #:	F-PPXRD-NA		
SCALE:	1:18	DATE:	1/26/2017
DRAWN BY:	KR	REVISION:	A